



Parts Manual

Mfg. No: 5901755
Venture XC (FS3200) Series Stand-On
Spreader Sprayer



5106065 - Salt Spreader Baffle, 220# (SPB-220-2).....
5601201 - Venture XC Spare Parts Kit (SPK-600-1).....
5105895 - Spray Wand Assembly (SPW-100-1).....

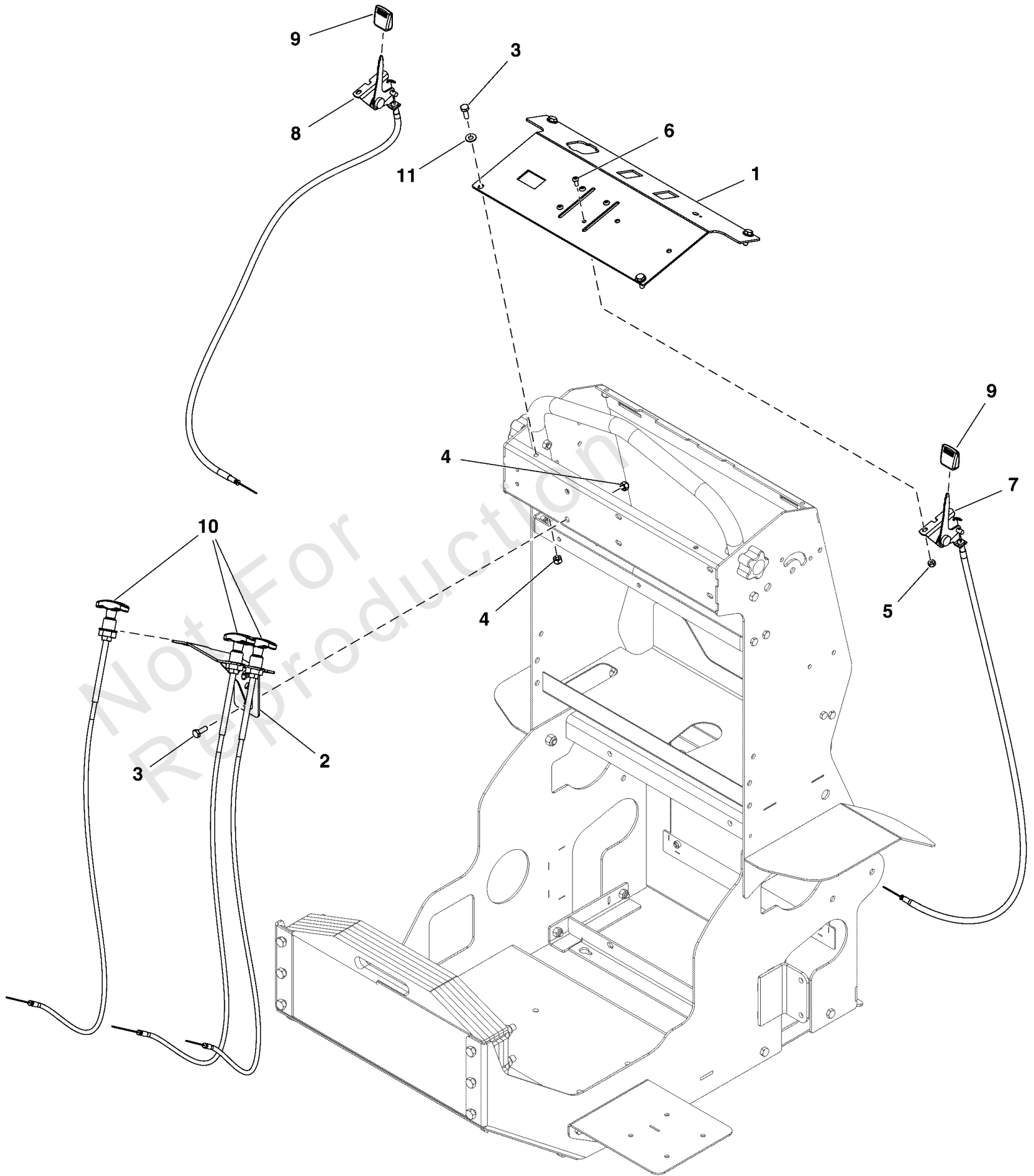
Not For
Reproduction

| Model Components | Page |
|---|-------------|
| Console Pedestal Group. | 4 |
| Decal Group. | 6 |
| Electrical Group. | 8 |
| Electrical Schematic - Charging Circuit. | 10 |
| Electrical Schematic - Cranking Circuit. | 12 |
| Electrical Schematic - Spinner Platter Activation Circuit. | 14 |
| Electrical Schematic - Spray Pump Activation Circuit. | 16 |
| Engine Group. | 18 |
| Foot Pan Group. | 20 |
| Front Caster Group. | 22 |
| Fuel Tank Group. | 24 |
| Hopper Gate Assembly Group (220 LBS). | 26 |
| Hopper Group (220 LBS). | 28 |
| Main Frame Group S/N: 30000003685 and Below. | 30 |
| Main Frame Group S/N: 30000003686 and Above. | 32 |
| Motion Control Lever Group. | 34 |
| Parking Brake Group. | 36 |
| Power Transmission Group - S/N: 30000003664 and Below. | 38 |
| Power Transmission Group - S/N: 30000003665 and Above. | 40 |
| Pump / Valve System Group. | 42 |
| Pump Venture Group. | 44 |
| Spray Bar Folding Boom Assembly Group. | 46 |
| Spray Bar Group. | 48 |
| Spray Tank Valve Group. | 50 |
| Spray Toggle Valve Group. | 52 |
| Spray Wand Group S/N: 30000003685 and Below. | 54 |
| Spray Wand Group S/N: 30000003686 and Above. | 56 |
| Sprayer Tank Group S/N: 30000003685 and Below. | 58 |
| Sprayer Tank Group S/N: 30000003686 and Above. | 60 |
| Spreader Shield Group. | 62 |
| Thigh Pad Group. | 64 |
| Torque Specification Chart. | 66 |

Console Pedestal Group

Note: Unless noted otherwise, use the standard torque specifications

Mfg. No: 5901755



Console Pedestal Group

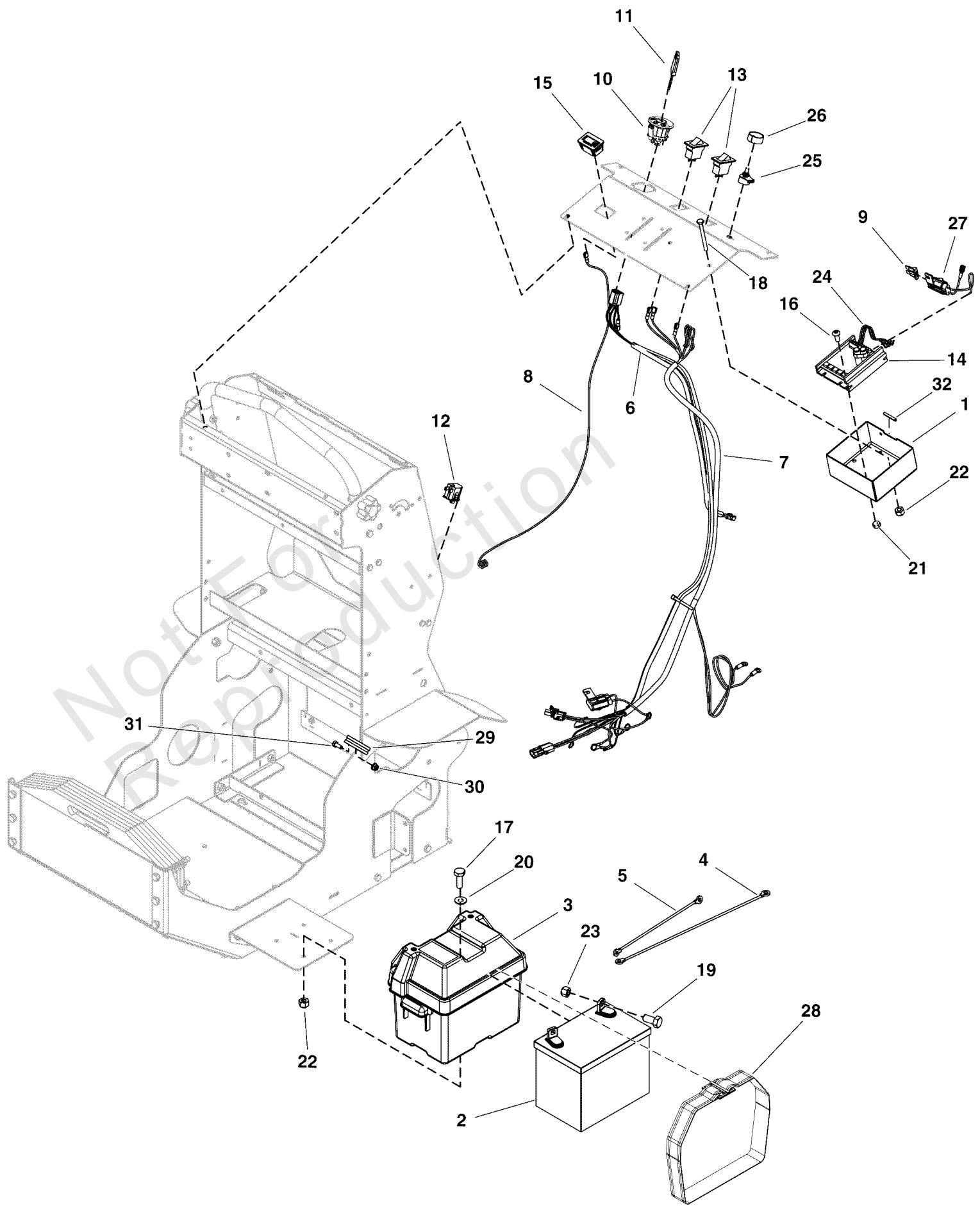
| REF NO | PART NO | QTY | DESCRIPTION |
|--------|---------|-----|--|
| 1 | 5418490 | 1 | PLATE, COVER CONSOLE (SANDED) |
| 2 | 5418409 | 1 | WELD, BRACKET, HAND CONTROLS |
| 3 | 5106214 | 6 | SCR-CAP, HEX .250"-20 X .750" SS188 |
| 4 | 5106040 | 6 | NUT-HEX-NYLK, .250"-20 SS188 |
| 5 | 5105963 | 4 | NUT-HEX-NYLK, #10-24 SS188 |
| 6 | 5105978 | 4 | SCR-CAP, BSH #10-24 X .500" SS188 |
| 7 | 5106743 | 1 | CABLE, POS ACTION CONT, CHOKE 36.25" LNG |
| 8 | 5106744 | 1 | CABLE, POS ACTION CONT, THRTL 35.00" LNG |
| 9 | 5106000 | 2 | KNOB, GATE LEVER |
| 10 | 5109576 | 3 | CABLE, TURN TO LOCK, 35" |
| 11 | 5106067 | 4 | WSHR-STL, FLT .281" X .625" X .050" IS SS188 |

Not For Reproduction



Decal Group

| REF NO | PART NO | QTY | DESCRIPTION |
|--------|-----------|-----|---|
| 1 | 100258 | 1 | LABEL, CAUTION HOT SURFACE EN/SP |
| 2 | 5103184 | 4 | DECAL, WARNING, HAND IN BELT, ENG ONLY |
| 3 | 5105761 | 1 | DECAL, SPRAY PRESSURE CONTROL |
| 4 | 5105766 | 1 | DECAL, DANGER |
| 5 | 5105767 | 1 | DECAL, FOOT PLATFORM SPRAY SWITCH |
| 6 | 5105768 | 1 | DECAL, SPRAY TOGGLE VALVES |
| 7 | 5105770 | 1 | DECAL, PARKING BRAKE SYMBOLS HORIZONTAL |
| 8 | 5106507 | 1 | DECAL, CAUTION, MUFFLER TEMP. |
| 9 | 5106542 | 1 | DECAL, 3.00" FERRIS SHIELD LOGO |
| 10 | 5106703 | 1 | DECAL, SPINNER PUMP |
| 11 | 5106704 | 1 | DECAL, THROTTLE |
| 12 | 5106705 | 1 | DECAL, CHOKE |
| 13 | 5106706 | 2 | DECAL, MOTION CONTROL |
| 14 | 5106707 | 1 | DECAL, SPREADER/SPRAYER CONTROLS |
| 15 | 5106708 | 1 | DECAL, WARNING |
| 16 | 5106709 | 1 | DECAL, MADE IN THE USA |
| 17 | 5103619YP | 1 | DECAL, MANUAL |
| 18 | 5106710 | 1 | DECAL, SPRAY TANK SUCTION / RETURN LABEL |
| 19 | ----- | 1 | DECAL, CALIBRATION CHART 5 GPM, 4 NOZZLE -(Not illustrated.) |



Electrical Group

| REF NO | PART NO | QTY | DESCRIPTION |
|--------|---------|-----|---|
| 1 | 5418408 | 1 | COVER, DART CONTROLLER |
| 2 | ----- | 1 | BATTERY, 12 VOLT, 230 CCA |
| 3 | 5100688 | 1 | BATTERY BOX, W/ DRAIN HOLE |
| 4 | 5044471 | 1 | BATTERY CABLE, POSITIVE, 15 |
| 5 | 5044472 | 1 | BATTERY CABLE, NEG, 10, 1/4-5/16 |
| 6 | 5106697 | 1 | HARNESS, IGNITION |
| 7 | 5106698 | 1 | WIRING HARNESS, PUMP/GEAR MOTOR |
| 8 | 5106717 | 1 | HARNESS, HOUR METER |
| 9 | 5106699 | 2 | FUSE, ATOF/ATO, 20A 32V |
| 10 | 5106193 | 1 | SWITCH, IGNITION 3 POSITION KEY |
| 11 | 5106252 | 1 | KEY, IGNITION |
| 12 | 1732004 | 1 | SWITCH, Push Button, NO, Black |
| 13 | 5106086 | 2 | SWITCH, ROCKER 2P SPST 20A 14VDC |
| 14 | 5106161 | 1 | DRIVE, LOW VOLTAGE 20A 65E |
| 15 | 5106145 | 1 | METER, TACH/HOUR INDUCTIVE PICKUP |
| 16 | 5105978 | 2 | SCR-CAP, BSH #10-24 X .500" SS188 |
| 17 | 5106214 | 4 | SCR-CAP, HEX .250"-20 X .750" SS188 |
| 18 | 5106275 | 2 | SCR-CAP, HEX .250"-20 X 3.000" SS188 |
| 19 | 5106580 | 2 | SCR-CAP, HEX .375"-16 X .750" SS188 |
| 20 | 5106067 | 4 | WSHR-STL, FLT .281" X .625" X .050" IS SS188 |
| 21 | 5105963 | 2 | NUT-HEX-NYLK, #10-24 SS188 |
| 22 | 5106040 | 6 | NUT-HEX-NYLK, .250"-20 SS188 |
| 23 | 5106006 | 2 | NUT-HEX-NYLK, .375"-16 SS188 |
| 24 | ----- | 1 | HARNESS, SPEED CONTROL TO PCB -(Service with item # 25) |
| 25 | 5106253 | 1 | POTENTIOMETER, SPEED CONTROL 5K OHM -(Includes potentiometer, nut, washer, and 3 wire leads) |
| 26 | 5106693 | 1 | KNOB, DART SPEED CONTROL |
| 27 | 5106681 | 1 | HARNESS, ATO FUSE HOLDER |
| 28 | 5106544 | 1 | STRAP, BATTERY BOX 45" |
| 29 | 5108486 | 1 | CLAMP, HARNESS ROUTING, SS |
| 30 | 5106029 | 1 | SCR-CAP, HEX .250"-20 X .625" SS188 |
| 31 | 5107655 | 1 | NUT-HEX-NYLK, FLG .250"-20 SS188 |
| 32 | 5420650 | 1 | TRIM, U-CHANNEL .031"X.156"X1.25" LONG |

Electrical Schematic - Charging Circuit

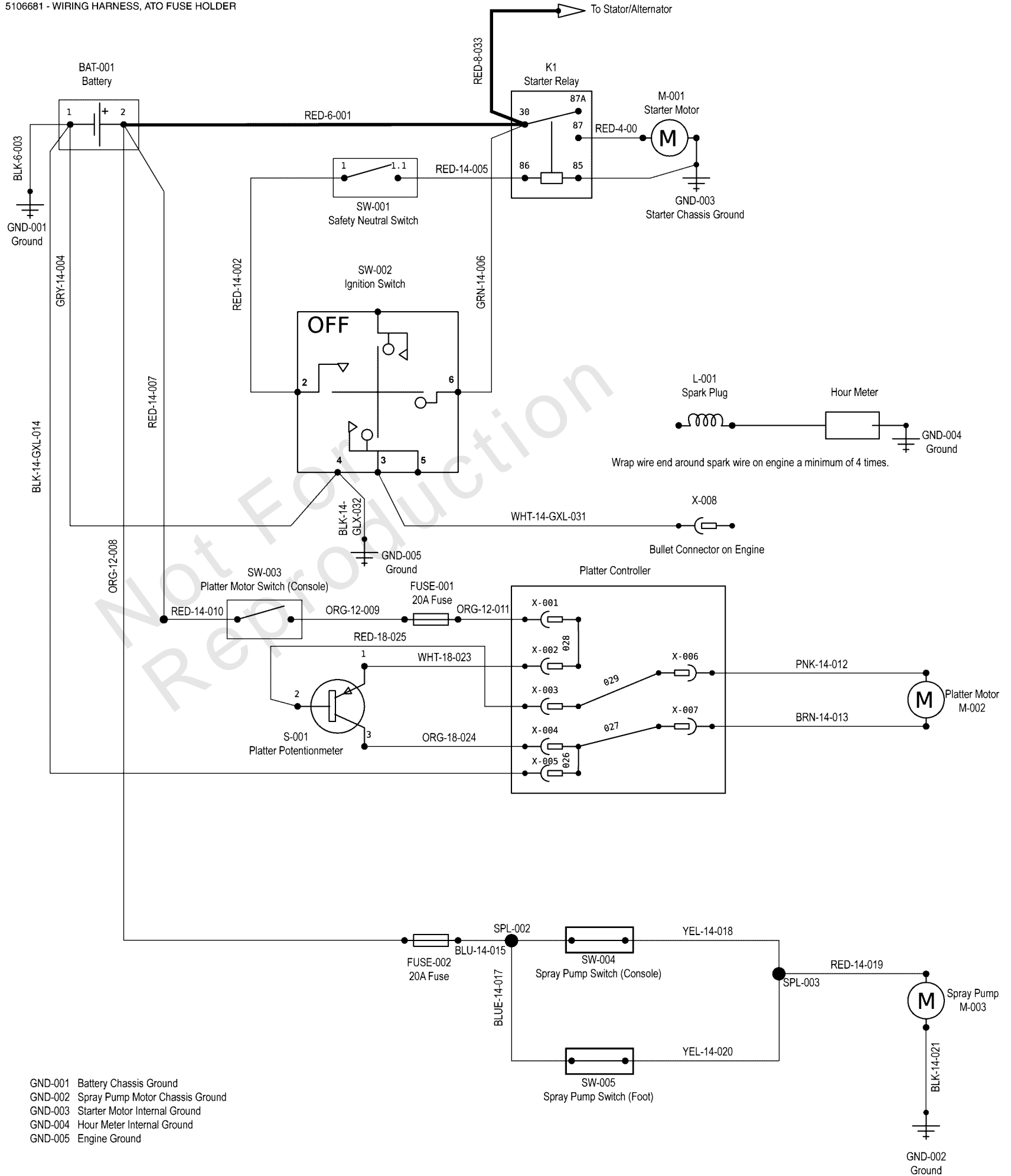
Note: Unless noted otherwise, use the standard torque specifications

Mfg. No: 5901755

VENTURE ELECTRICAL SCHEMATICS - BRIGGS & STRATTON 356447 VANGUARD ENGINES

5106697A

- 5106697 - WIRING HARNESS, IGNITION
- 5106698 - WIRING HARNESS, PUMP/GEAR MOTOR
- 5106717 - WIRING HARNESS, HOUR METER
- 5106718 - WIRING HARNESS, SPEED CONTROL TO PCB
- 5106681 - WIRING HARNESS, ATO FUSE HOLDER



Electrical Schematic - Charging Circuit

| REF NO | PART NO | QTY | DESCRIPTION |
|---------|---------|-----|--|
| 5106697 | 5106697 | 1 | HARNESS, IGNITION |
| 5106698 | 5106698 | 1 | WIRING HARNESS, PUMP/GEAR MOTOR |
| 5106717 | 5106717 | 1 | HARNESS, HOUR METER |
| 5106718 | ----- | 1 | HARNESS, SPEED CONTROL TO PCB -(Refer to Note: *) |
| 5106681 | 5106681 | 1 | HARNESS, ATO FUSE HOLDER |

Not For
Reproduction

Footnotes:

Note: *Service with part number 5106253 which includes potentiometer, nut, washer, and three wire leads.

Electrical Schematic - Cranking Circuit

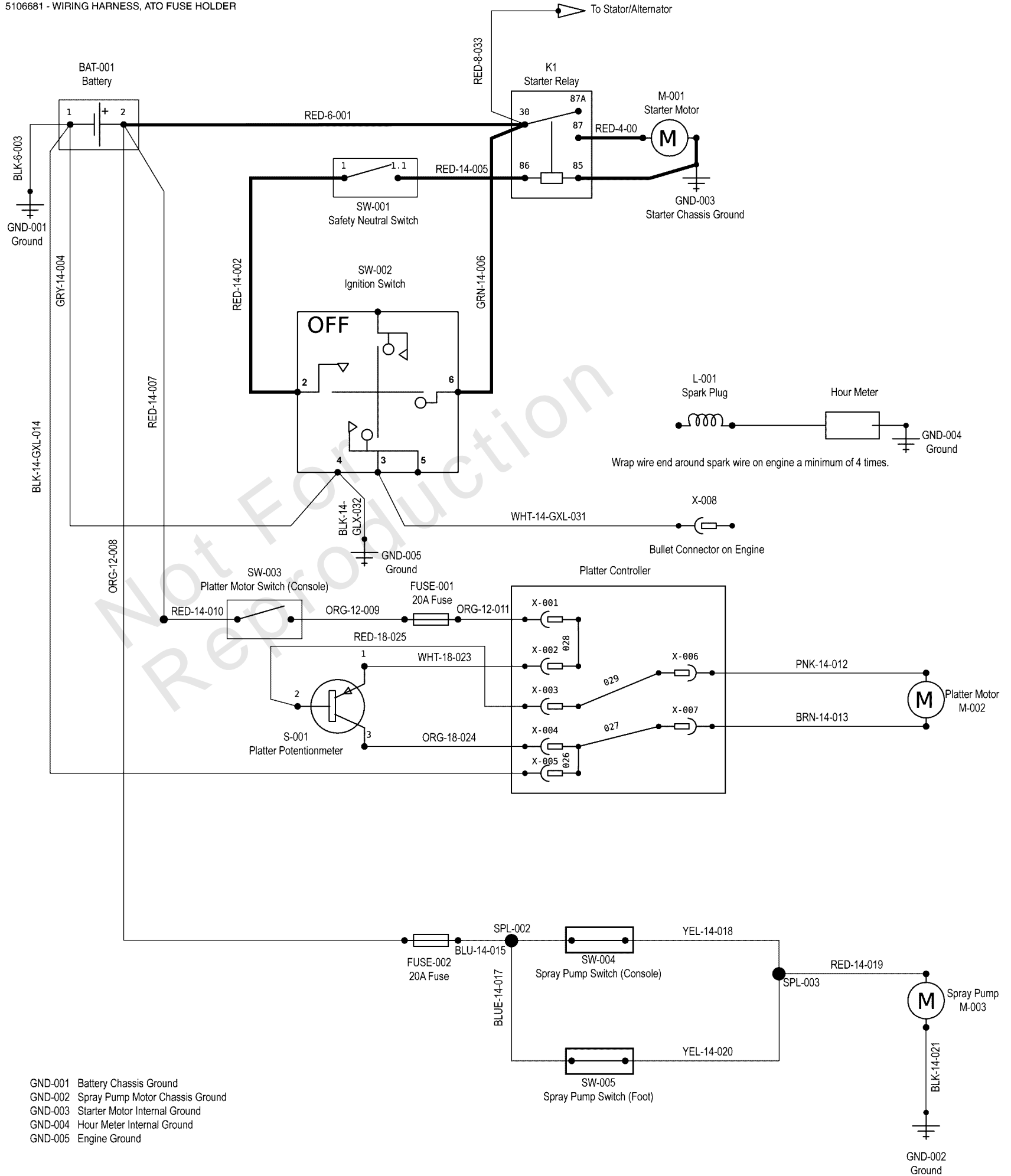
Note: Unless noted otherwise, use the standard torque specifications

Mfg. No: 5901755

VENTURE ELECTRICAL SCHEMATICS - BRIGGS & STRATTON 356447 VANGUARD ENGINES

5106697A

- 5106697 - WIRING HARNESS, IGNITION
- 5106698 - WIRING HARNESS, PUMP/GEAR MOTOR
- 5106717 - WIRING HARNESS, HOUR METER
- 5106718 - WIRING HARNESS, SPEED CONTROL TO PCB
- 5106681 - WIRING HARNESS, ATO FUSE HOLDER



- GND-001 Battery Chassis Ground
- GND-002 Spray Pump Motor Chassis Ground
- GND-003 Starter Motor Internal Ground
- GND-004 Hour Meter Internal Ground
- GND-005 Engine Ground

Electrical Schematic - Cranking Circuit

| REF NO | PART NO | QTY | DESCRIPTION |
|---------|---------|-----|--|
| 5106697 | 5106697 | 1 | HARNESS, IGNITION |
| 5106698 | 5106698 | 1 | WIRING HARNESS, PUMP/GEAR MOTOR |
| 5106717 | 5106717 | 1 | HARNESS, HOUR METER |
| 5106718 | ----- | 1 | HARNESS, SPEED CONTROL TO PCB -(Refer to Note: *) |
| 5106681 | 5106681 | 1 | HARNESS, ATO FUSE HOLDER |

Not For
Reproduction

Footnotes:

Note: *Service with part number 5106253 which includes potentiometer, nut, washer, and three wire leads.

Electrical Schematic - Spinner Platter Activation Circuit

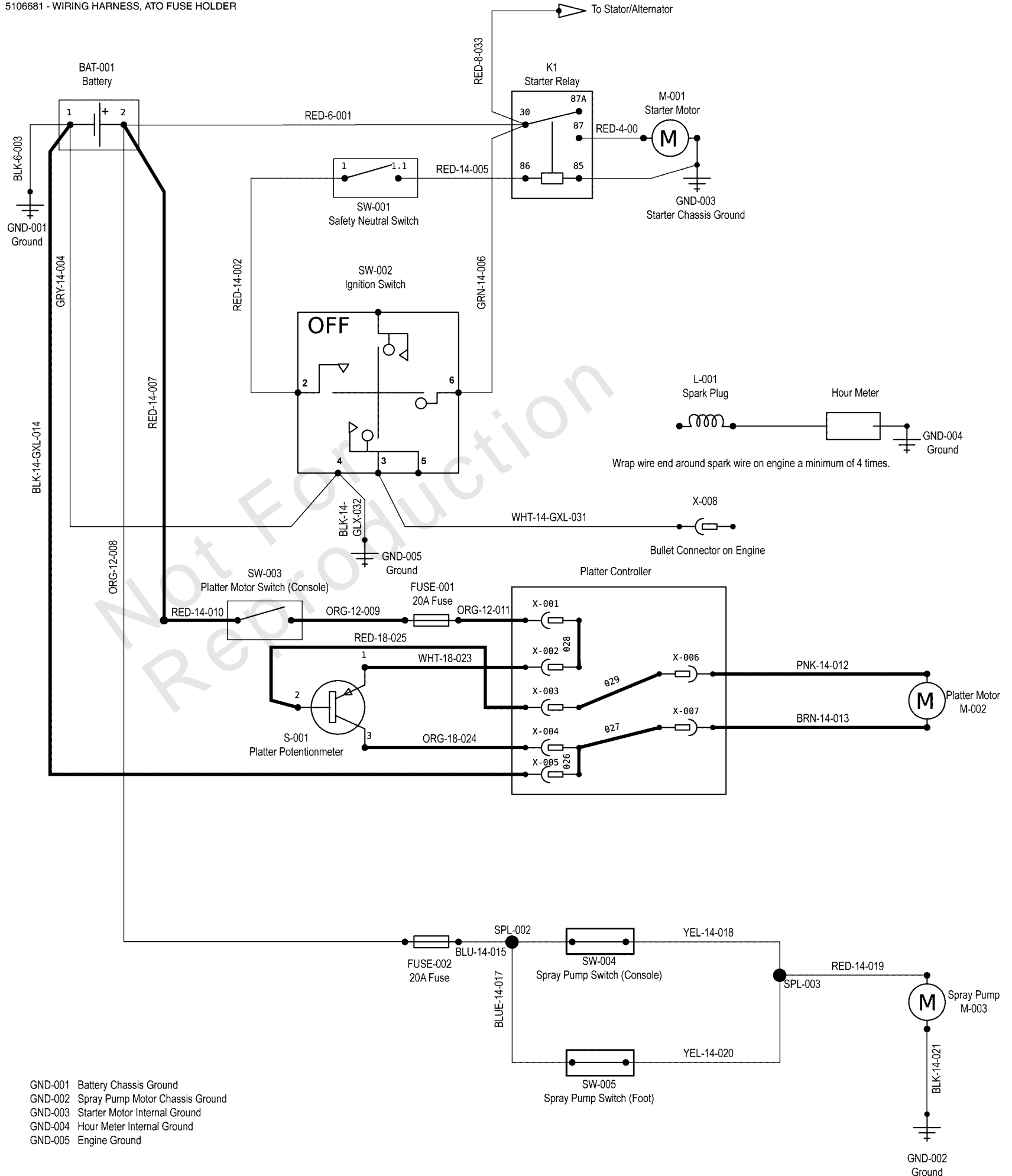
Note: Unless noted otherwise, use the standard torque specifications

Mfg. No: 5901755

VENTURE ELECTRICAL SCHEMATICS - BRIGGS & STRATTON 356447 VANGUARD ENGINES

5106697A

- 5106697 - WIRING HARNESS, IGNITION
- 5106698 - WIRING HARNESS, PUMP/GEAR MOTOR
- 5106717 - WIRING HARNESS, HOUR METER
- 5106718 - WIRING HARNESS, SPEED CONTROL TO PCB
- 5106681 - WIRING HARNESS, ATO FUSE HOLDER



Electrical Schematic - Spinner Platter Activation Circuit

| REF NO | PART NO | QTY | DESCRIPTION |
|---------|---------|-----|--|
| 5106697 | 5106697 | 1 | HARNESS, IGNITION |
| 5106698 | 5106698 | 1 | WIRING HARNESS, PUMP/GEAR MOTOR |
| 5106717 | 5106717 | 1 | HARNESS, HOUR METER |
| 5106718 | ----- | 1 | HARNESS, SPEED CONTROL TO PCB -(Refer to Note: *) |
| 5106681 | 5106681 | 1 | HARNESS, ATO FUSE HOLDER |

Not For
Reproduction

Footnotes:

Note: *Service with part number 5106253 which includes potentiometer, nut, washer, and three wire leads.

Electrical Schematic - Spray Pump Activation Circuit

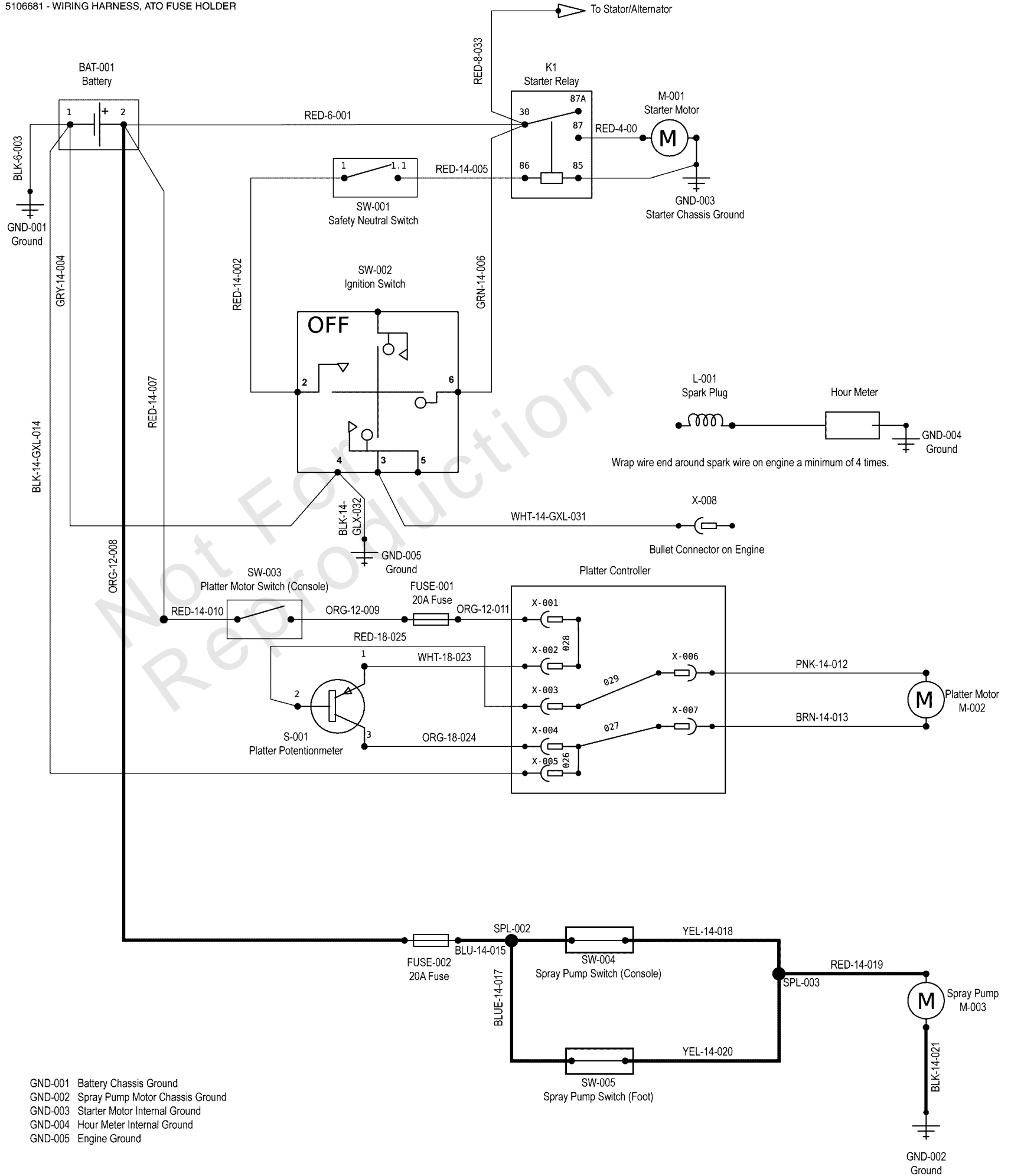
Note: Unless noted otherwise, use the standard torque specifications

Mfg. No: 5901755

VENTURE ELECTRICAL SCHEMATICS - BRIGGS & STRATTON 356447 VANGUARD ENGINES

5106697A

- 5106697 - WIRING HARNESS, IGNITION
- 5106698 - WIRING HARNESS, PUMP/GEAR MOTOR
- 5106717 - WIRING HARNESS, HOUR METER
- 5106718 - WIRING HARNESS, SPEED CONTROL TO PCB
- 5106681 - WIRING HARNESS, ATO FUSE HOLDER



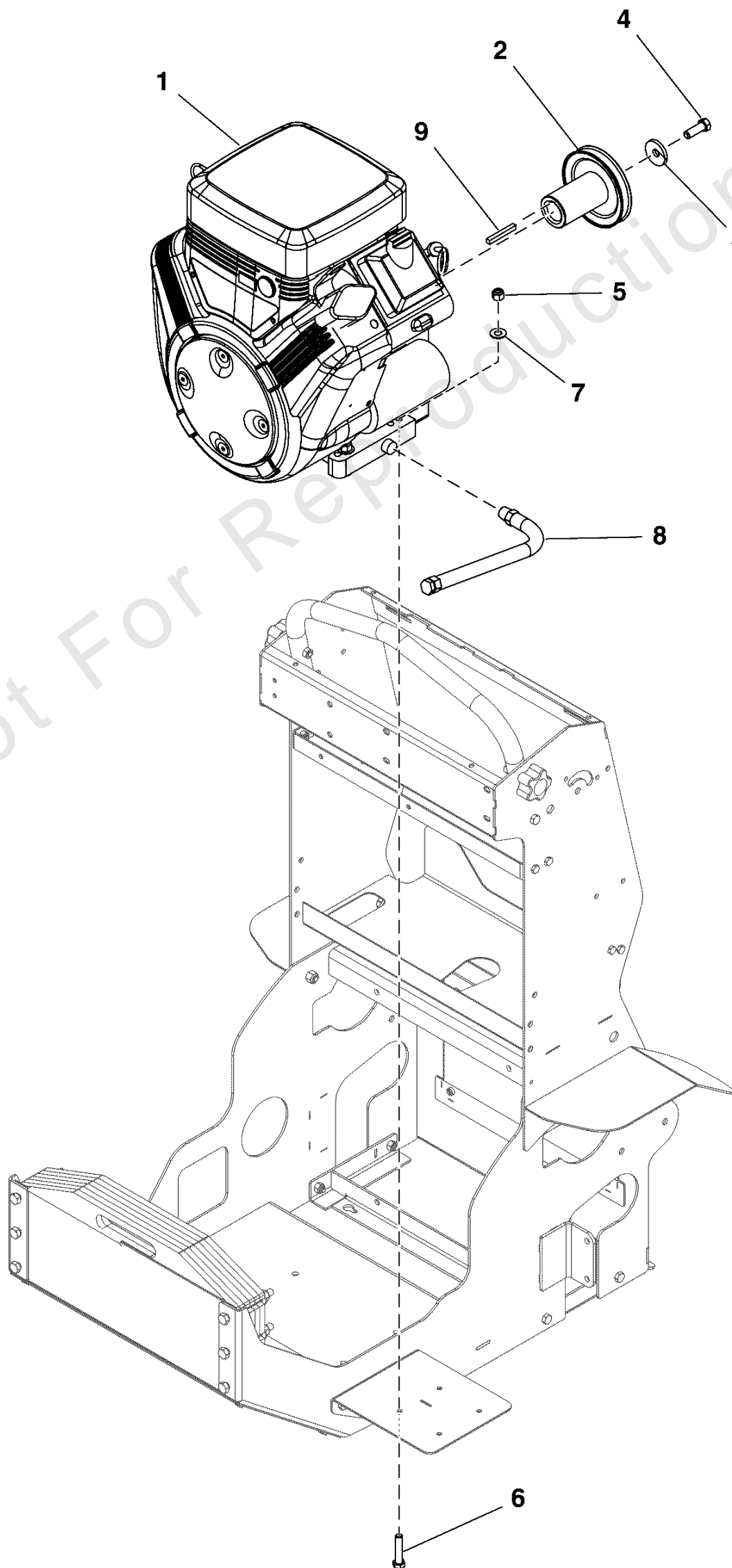
Electrical Schematic - Spray Pump Activation Circuit

| REF NO | PART NO | QTY | DESCRIPTION |
|---------|---------|-----|--|
| 5106697 | 5106697 | 1 | HARNESS, IGNITION |
| 5106698 | 5106698 | 1 | WIRING HARNESS, PUMP/GEAR MOTOR |
| 5106717 | 5106717 | 1 | HARNESS, HOUR METER |
| 5106718 | ----- | 1 | HARNESS, SPEED CONTROL TO PCB -(Refer to Note: *) |
| 5106681 | 5106681 | 1 | HARNESS, ATO FUSE HOLDER |

Not For
Reproduction

Footnotes:

Note: *Service with part number 5106253 which includes potentiometer, nut, washer, and three wire leads.



Engine Group

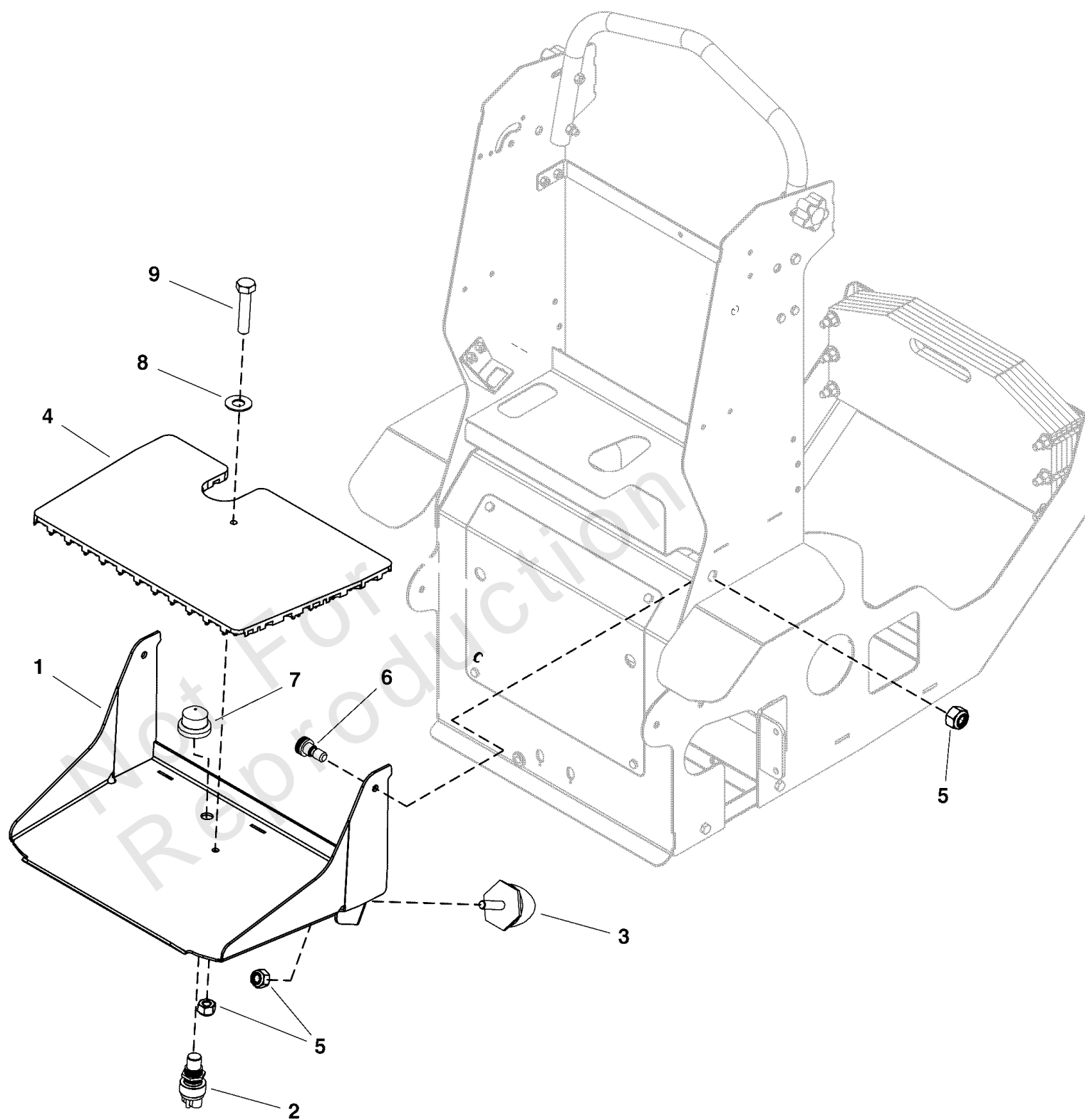
| REF NO | PART NO | QTY | DESCRIPTION |
|--------|---------|-----|--|
| 1 | 5106334 | 1 | ENGINE, 18 HP VANGUARD |
| 2 | 5106332 | 1 | PULLEY, 4.50 O.D. x 1.125" I.D. V, A/B |
| 3 | 5106653 | 1 | WSHR-STL, BLV, .450" X 1.500" X .172" MZ |
| 4 | 5106654 | 1 | SCR-CAP, HEX .4375"-20 X 1.250" EP42 G8 YZ |
| 5 | 5106006 | 4 | NUT-HEX-NYLK, .375"-16 SS188 |
| 6 | 5106518 | 4 | SCR-CAP, HEX .375"-16 X 1.7500" SS188 |
| 7 | 5106168 | 4 | WSHR-STL, FLT .406" X .875" X .050" IS SS188 |
| 8 | 5048681 | 1 | HOSE, OIL DRAIN |
| 9 | 5105938 | 1 | KEY, .250" SQ. X 2" SS188 |

Not For Reproduction

Foot Pan Group

Note: Unless noted otherwise, use the standard torque specifications

Mfg. No: 5901755



Foot Pan Group

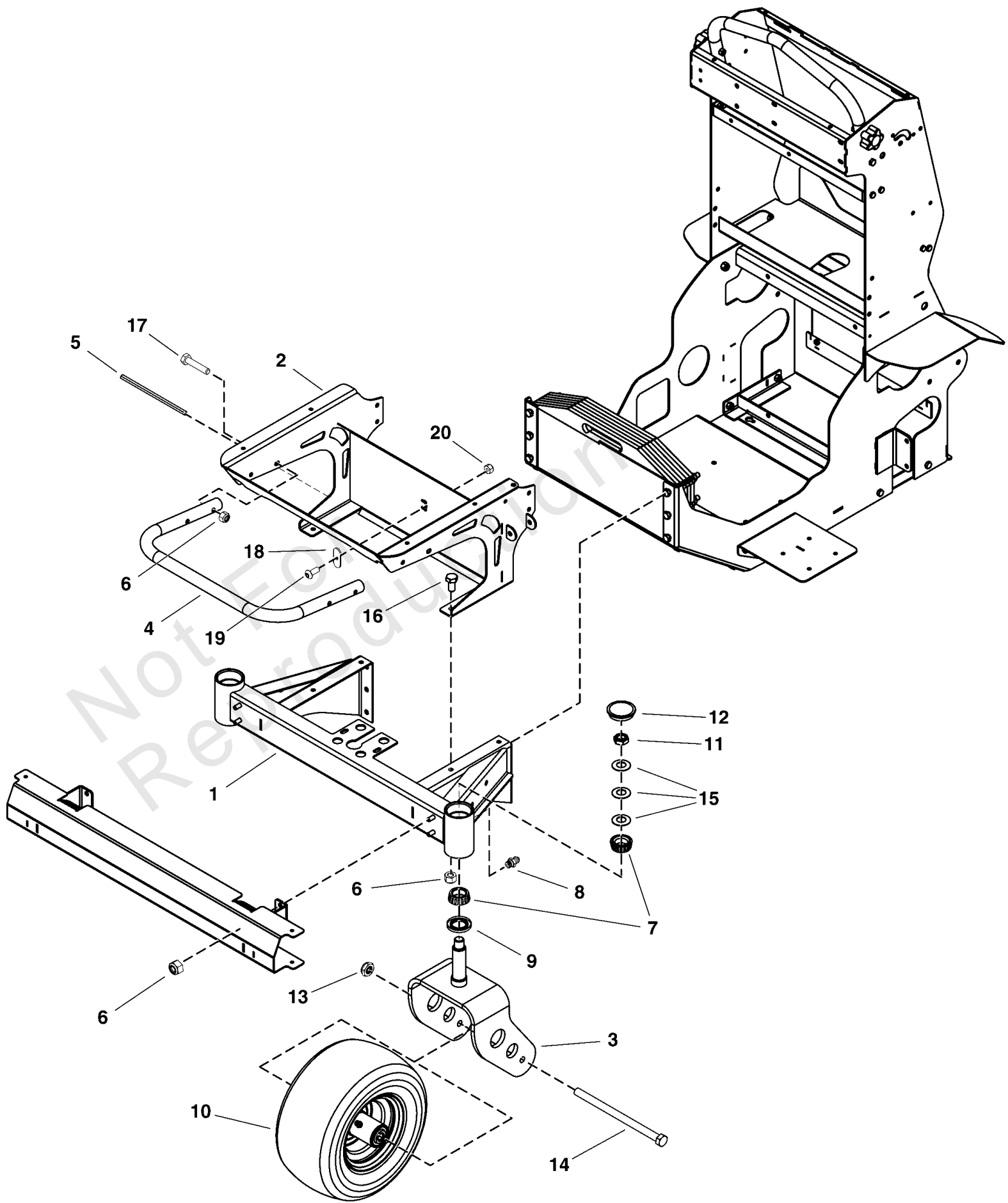
| REF NO | PART NO | QTY | DESCRIPTION |
|--------|---------|-----|---|
| 1 | 5418390 | 1 | WELD, FOOTPAN |
| 2 | 5106144 | 1 | SWITCH, MOMENTARY 60A 12VDC |
| 3 | 5106694 | 3 | BUMPER, MALE TAPERED 5/16-18 THD, 140 LB |
| 4 | 5106262 | 1 | PAD, FOOT RUBBER |
| 5 | 5105992 | 6 | NUT-HEX-NYLK, 0.3125"-18 SS188 |
| 6 | 5106171 | 2 | BLT-SLDR, SH .375" X 0.250", .3125"-18 X.500" SS188 |
| 7 | 5106178 | 1 | BOOT, SWITCH 5/8-32 THREADED |
| 8 | 5106168 | 1 | WSHR-STL, FLT .406" X .875" X .050" IS SS188 |
| 9 | 5106755 | 1 | SCR-CAP, HEX .3125"-18 X 1.500" SS188 |

Not For Reproduction

Front Caster Group

Note: Unless noted otherwise, use the standard torque specifications

Mfg. No: 5901755



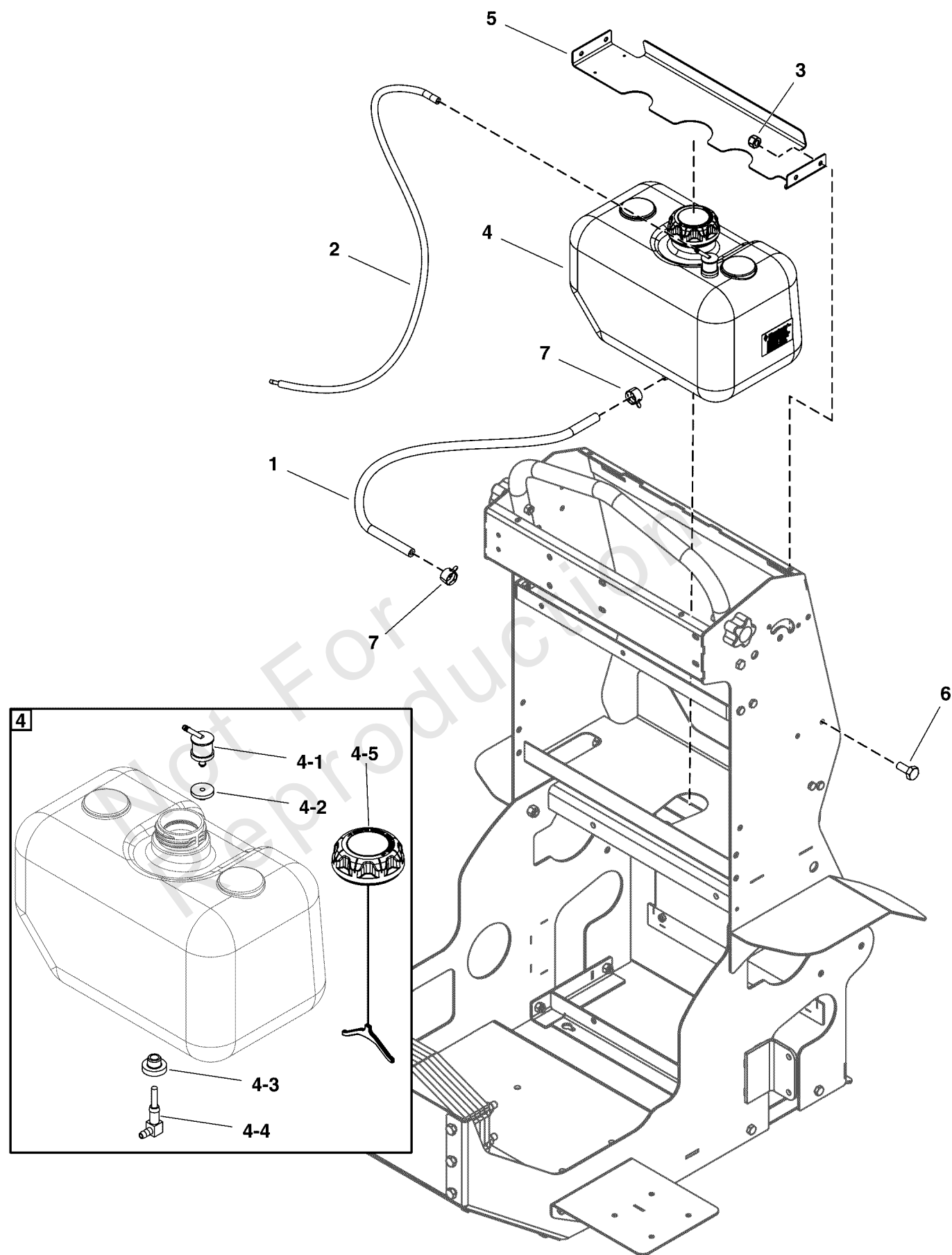
Front Caster Group

| REF NO | PART NO | QTY | DESCRIPTION |
|--------|-----------|-----|---|
| 1 | 5106272 | 1 | WELD, CASTER ARM SUPPORT |
| 2 | 5418326 | 1 | WELD, HOPPER SUPPORT -(S/N: 30000003685 and Below) |
| 2 | 84008653 | 1 | SUPPORT -(S/N: 30000003686 and Above) |
| 3 | 5418356 | 2 | WELD, CASTER FORK ASSEMBLY |
| 4 | 5418341 | 1 | TUBE, FRONT BUMPER -(S/N: 30000003685 and Below) |
| 4 | 84008652 | 1 | BUMPER, Tube -(S/N: 30000003686 and Above) |
| 5 | 5418427 | 1 | TRIM FOR CONSOLE, 7 INCH -(S/N: 30000003685 and Below) |
| 5 | 84008656 | 1 | TRIM -(S/N: 30000003686 and Above) |
| 6 | 5105992FS | 12 | NUT |
| 7 | 5106044 | 4 | BRG, TPR 1.063" ID X .58" THK |
| 8 | 5106119 | 2 | ZERK, GREASE .250"-28 SS |
| 9 | 5106126 | 2 | SEAL, 1.125" BORE x 1.987 OD x 0.250 THK |
| 10 | 5106150 | 2 | ASM, WHEEL & TIRE 13X6.50-6 FILLED SMOOTH |
| 10-1 | 5108684 | 2 | KIT, 5106150 REPLACEMENT BEARING -(Includes 2 each of bearing, spacer, and seal to service 5106150 tire) |
| 11 | 5106184FS | | NUT |
| 12 | 5109845FS | | CAP |
| 13 | 5106582 | 2 | NUT-HEX-NYLK, .500"-13 TH TTW SS188 |
| 14 | 5106583 | 2 | SCR-CAP, HEX .500"-13 X 8.000" SS188 |
| 15 | 5106585 | 6 | WSHR-STL, BLV, .770" X 1.500" X .045" MZ |
| 16 | 5106649 | 4 | SCR-CAP, HEX .3125"-18 X .625" SS188 |
| 17 | 5106755 | 4 | SCR-CAP, HEX .3125"-18 X 1.500" SS188 |
| 18 | 5105969 | 1 | PLATE, CABLE HOLDER |
| 19 | 5105978 | 1 | SCR-CAP, BSH #10-24 X .500" SS188 |
| 20 | 5105963FS | 1 | NUT |

Fuel Tank Group

Note: Unless noted otherwise, use the standard torque specifications

Mfg. No: 5901755



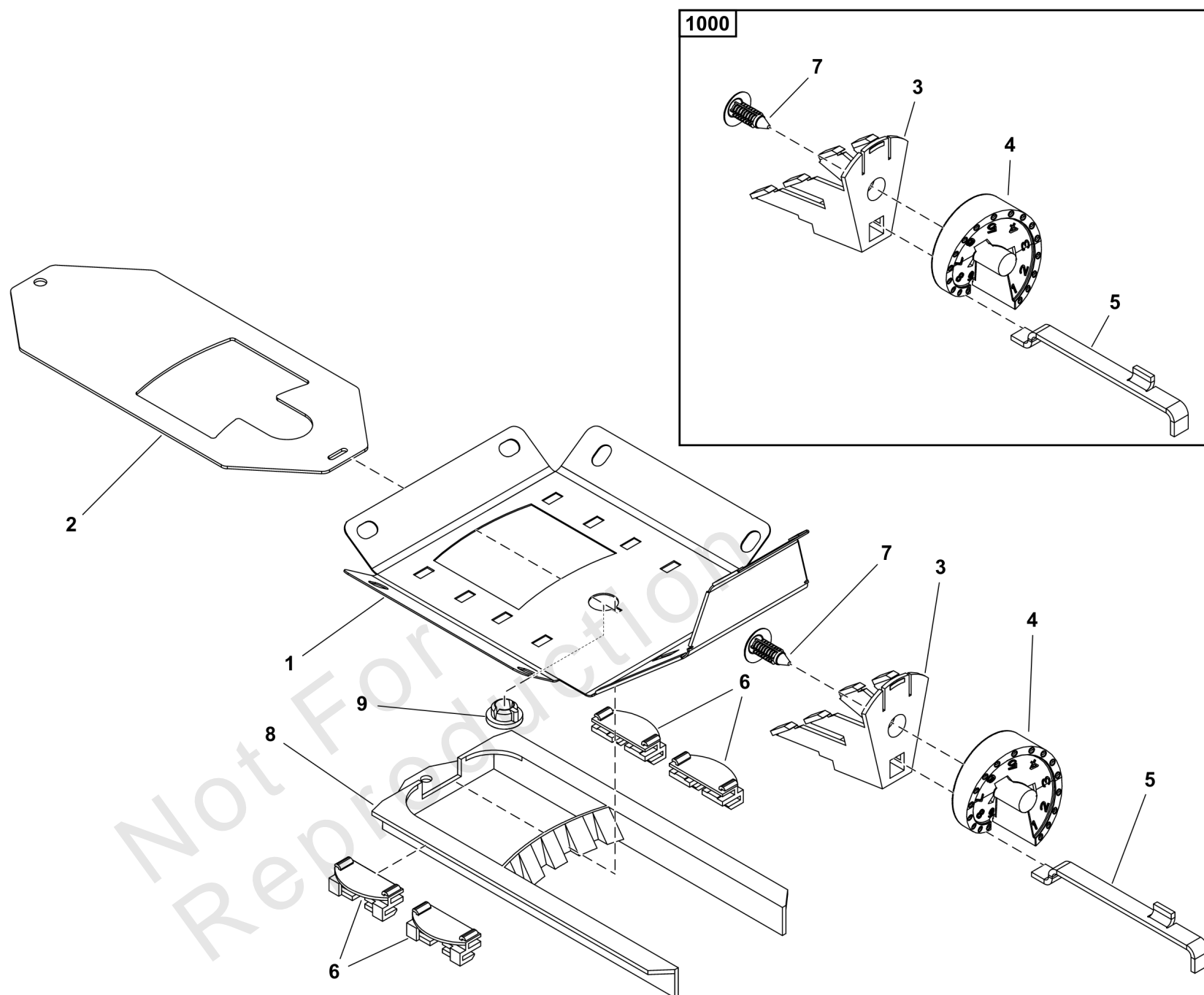
Fuel Tank Group

| REF NO | PART NO | QTY | DESCRIPTION |
|--------|------------|-----|--|
| 1 | 5050831X14 | 1 | 1/4" Fuel Line, 14" Long -(Connects to Engine) |
| 2 | 5418428 | 1 | HOSE, FUEL VENT EPA 3/16" ID |
| 3 | 5106040 | 4 | NUT-HEX-NYLK, .250"-20 SS188 |
| 4 | 5105974 | 1 | TANK, FUEL 2.5 GAL EPA/CARB -(Includes items 1-1 through 1-5) |
| 4-1 | 5106225 | 1 | VALVE, SLOSH (C0155) -(SV) |
| 4-2 | 5106176 | 1 | GROMMET, SLOSH VALVE (C0156) -(SV) |
| 4-3 | 5105885 | 1 | GROMMET, VALVE, FUEL TANK (B0142) -(SV) |
| 4-4 | 5105993 | 1 | FITTING, FUEL TANK (B0115) -(SV) |
| 4-5 | 5106070 | 1 | CAP, FUEL, EPA (C0139) -(SV) |
| 5 | 5418368 | 1 | BRACKET, FUEL TANK HOLD DOWN |
| 6 | 5106029 | 4 | SCR-CAP, HEX .250"-20 X .625" SS188 |
| 7 | 791164 | 2 | CLAMP, FUEL LINE 0.50" |

Hopper Gate Assembly Group (220 LBS)

Note: Unless noted otherwise, use the standard torque specifications

Mfg. No: 5901755



Hopper Gate Assembly Group (220 LBS)

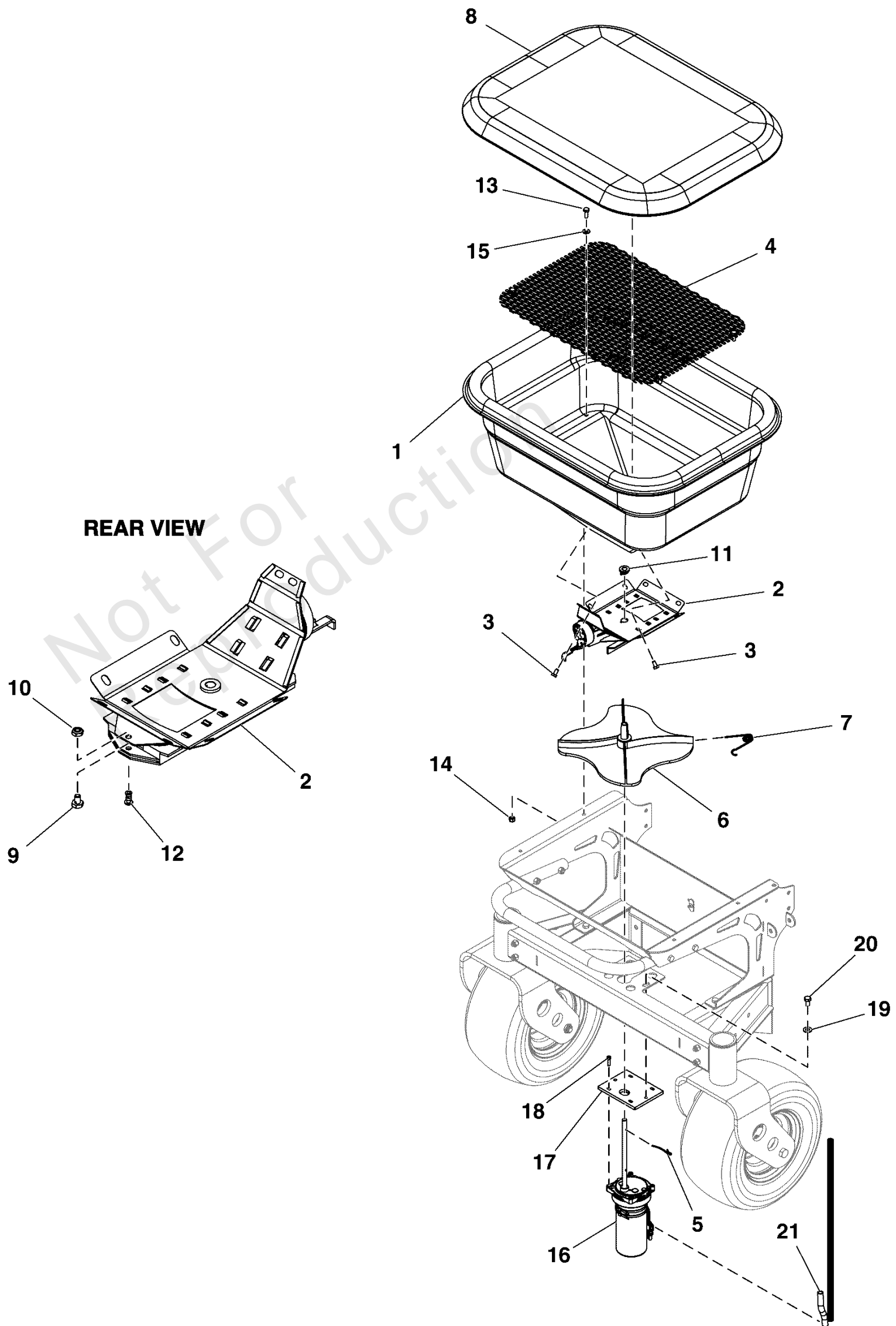
| REF NO | PART NO | QTY | DESCRIPTION |
|--------|---------|-----|--|
| 1 | 5106197 | 1 | PLATE, HOPPER BOTTOM 220 LBS |
| 2 | 5106199 | 1 | PLATE, RATE GATE |
| 3 | 5105888 | 1 | MOUNT, SPREADER DIAL |
| 4 | 5105913 | 1 | DIAL, CONTROLLER |
| 5 | 5105942 | 1 | PLATE, STOPPER, GATE OPENING |
| 6 | 5105933 | 4 | GUIDE, RATE GATE & DIFFUSER |
| 7 | 5105953 | 1 | PINE TREE CLIP, SPREADER FOR DIA .33" |
| 8 | 5106014 | 1 | BAFFLE, SPREADER DIFFUSER |
| 9 | 5105878 | 1 | BUSHING, HOPPER SPREADER |
| 1000 | 5105923 | 1 | AMMS, DIAL MOUNT (S0130) -(Includes items #3, #4, #5, and #7) |

Not For Reproduction

Hopper Group (220 LBS)

Note: Unless noted otherwise, use the standard torque specifications

Mfg. No: 5901755



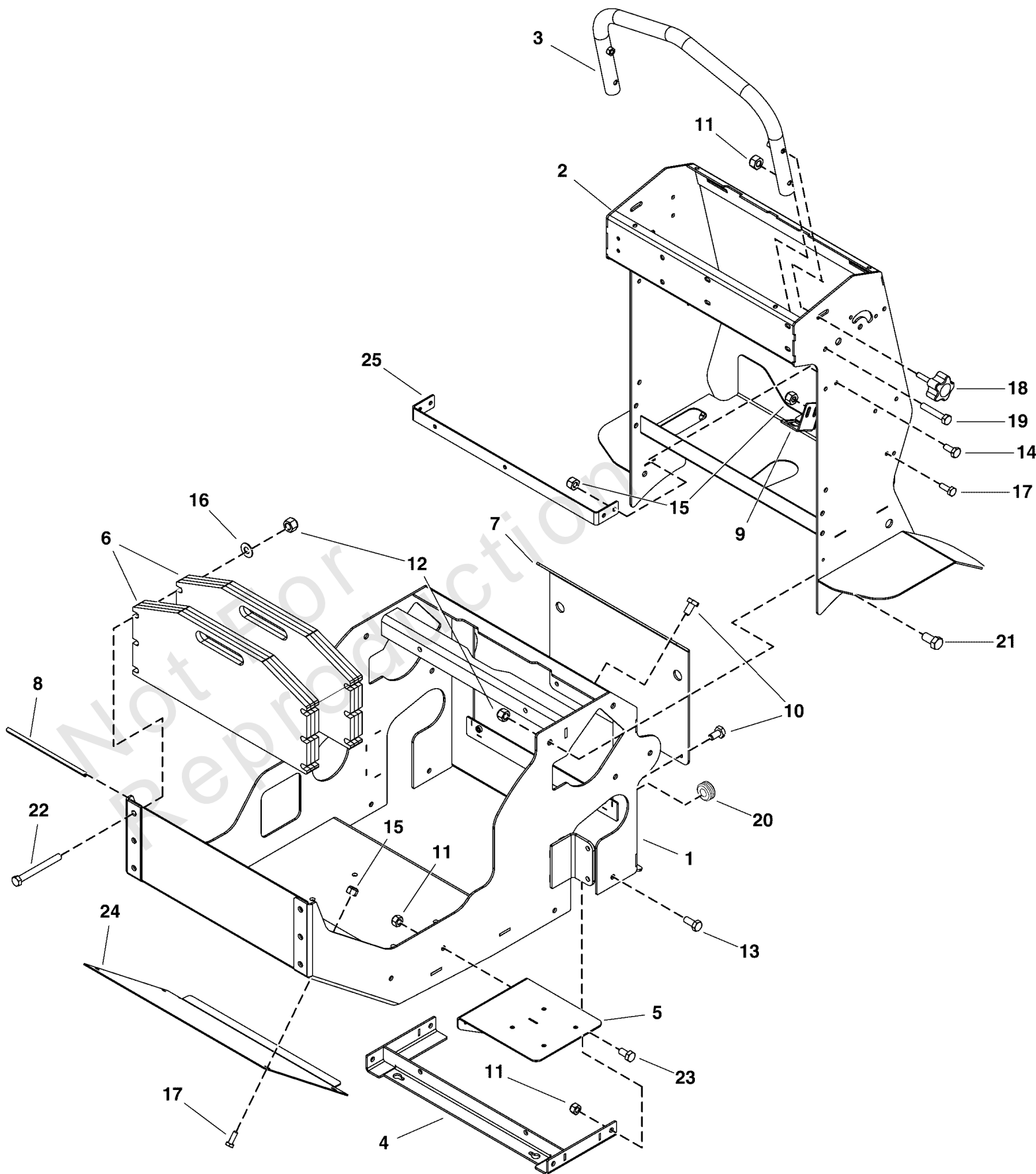
Hopper Group (220 LBS)

| REF NO | PART NO | QTY | DESCRIPTION |
|--------|----------|-----|---|
| 1 | 5106211 | 1 | HOPPER, 220 LBS |
| 2 | 5601137 | 1 | ASSEMBLY,GATE,COMPLET |
| 3 | 5105893 | 8 | SCR-CAP, HEX .250"-20 X .500" SS188 |
| 4 | 84011455 | 1 | SCREEN, Hopper (MODEL 220 LBS PERF) |
| 5 | 5105875 | 1 | CLIP, SPINNER AGITATOR |
| 6 | 84008796 | 1 | PLATTER, Spinner |
| 7 | 5105879 | 1 | CLIP, SPREADER SPINNER |
| 8 | 5105887 | 1 | COVER, HOPPER, MODEL 220 |
| 9 | 5105894 | 1 | SCR-CAP, HEX .250"-20 X .375" SS188 SPC |
| 10 | 5105915 | 1 | NUT-HEX-NYLK, .250"-20 TH SS188 |
| 11 | 5105878 | 1 | BUSHING, HOPPER SPREADER |
| 12 | 5105921 | 1 | FITTING, SWIVEL ACCUWAY |
| 13 | 5106214 | 4 | SCR-CAP, HEX .250"-20 X .750" SS188 |
| 14 | 5106040 | 4 | NUT-HEX-NYLK, .250"-20 SS188 |
| 15 | 5106067 | 4 | WSHR-STL, FLT .281" X .625" X .050" IS SS188 |
| 16 | 5106120 | 1 | SPINNER GEARMOTOR (E0118) |
| 17 | 5418220 | 1 | BRACKET, GEARMOTOR, SUPPORT |
| 18 | 5106676 | 4 | SCR-CAP SH, #10-32 X .750" SS188 |
| 19 | 5106009 | 2 | WSHR-STL, FLT .343" X .750" X .050" SPC SS188 |
| 20 | 5106649 | 2 | SCR-CAP, HEX .3125"-18 X .625" SS188 |
| 21 | 5418429 | 1 | SPLIT LOOM, .350" ID 19.00" LONG |

Main Frame Group S/N: 3000003685 and Below

Note: Unless noted otherwise, use the standard torque specifications

Mfg. No: 5901755



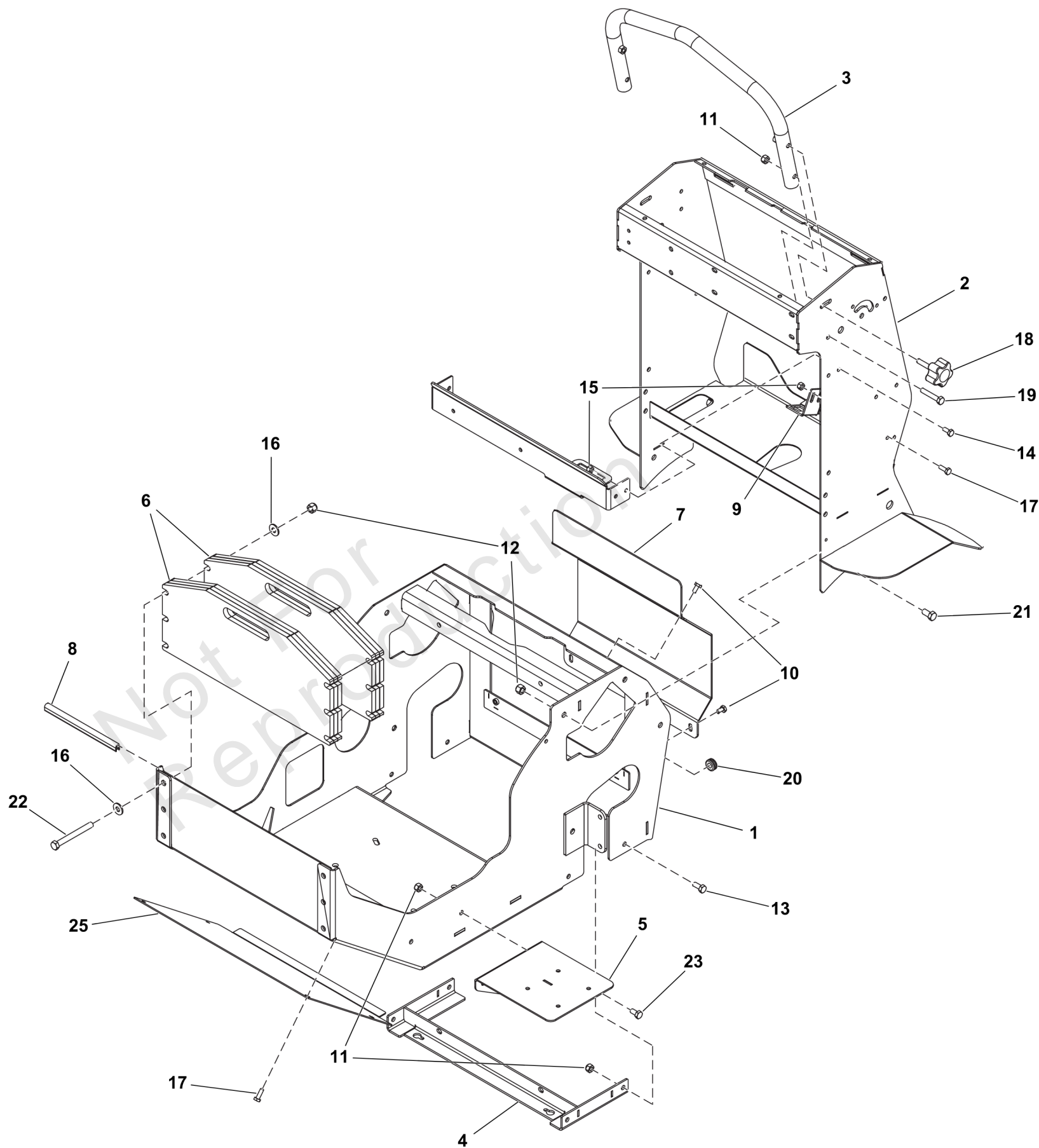
Main Frame Group S/N: 3000003685 and Below

| REF NO | PART NO | QTY | DESCRIPTION |
|--------|---------|-----|--|
| 1 | 5418316 | 1 | WELD, MAIN FRAME LOWER |
| 2 | 5418332 | 1 | WELD, HAND CONTROLS |
| 3 | 5418344 | 1 | WELD, STATIONARY HANDLEBAR |
| 4 | 5418345 | 1 | WELD, LOWER MOUNT TRANSAXLE |
| 5 | 5418365 | 1 | WELD, BATTERY SUPPORT PLATE |
| 6 | 5418384 | 2 | WELD, PLATE COUNTER WEIGHT |
| 7 | 5418489 | 1 | PLATE, BACK, (SANDED) |
| 8 | 5418427 | 1 | TRIM FOR CONSOLE, 7 INCH |
| 9 | 5105788 | 1 | PLATE, PARKING BRAKE SWITCH |
| 10 | 5105893 | 4 | SCR-CAP, HEX .250"-20 X .500" SS188 |
| 11 | 5105992 | 8 | NUT-HEX-NYLK, 0.3125"-18 SS188 |
| 12 | 5106006 | 10 | NUT-HEX-NYLK, .375"-16 SS188 |
| 13 | 5106024 | 4 | SCR-CAP, HEX .3125"-18 X .750" SS188 |
| 14 | 5106029 | 4 | SCR-CAP, HEX .250"-20 X .625" SS188 |
| 15 | 5106040 | 10 | NUT-HEX-NYLK, .250"-20 SS188 |
| 16 | 5106168 | 6 | WSHR-STL, FLT .406" X .875" X .050" IS SS188 |
| 17 | 5106214 | 6 | SCR-CAP, HEX .250"-20 X .750" SS188 |
| 18 | 5106279 | 2 | KNOB, STATIONARY CONTROL BAR |
| 19 | 5106293 | 2 | SCR-CAP, HEX .3125"-18 X 1.750" SS188 |
| 20 | 5106454 | 1 | GROMMET, 0.375" I.D., FIT 0.500" HOLE |
| 21 | 5106580 | 4 | SCR-CAP, HEX .375"-16 X .750" SS188 |
| 22 | 5106648 | 6 | SCR-CAP, HEX .375"-16 X 3.500" SS188 |
| 23 | 5106649 | 2 | SCR-CAP, HEX .3125"-18 X .625" SS188 |
| 24 | 5418325 | 1 | PLATE, FRONT ENGINE COVER |
| 25 | 5418342 | 1 | BRACKET, EXPANSION TANK MOUNT |

Main Frame Group S/N: 3000003686 and Above

Note: Unless noted otherwise, use the standard torque specifications

Mfg. No: 5901755



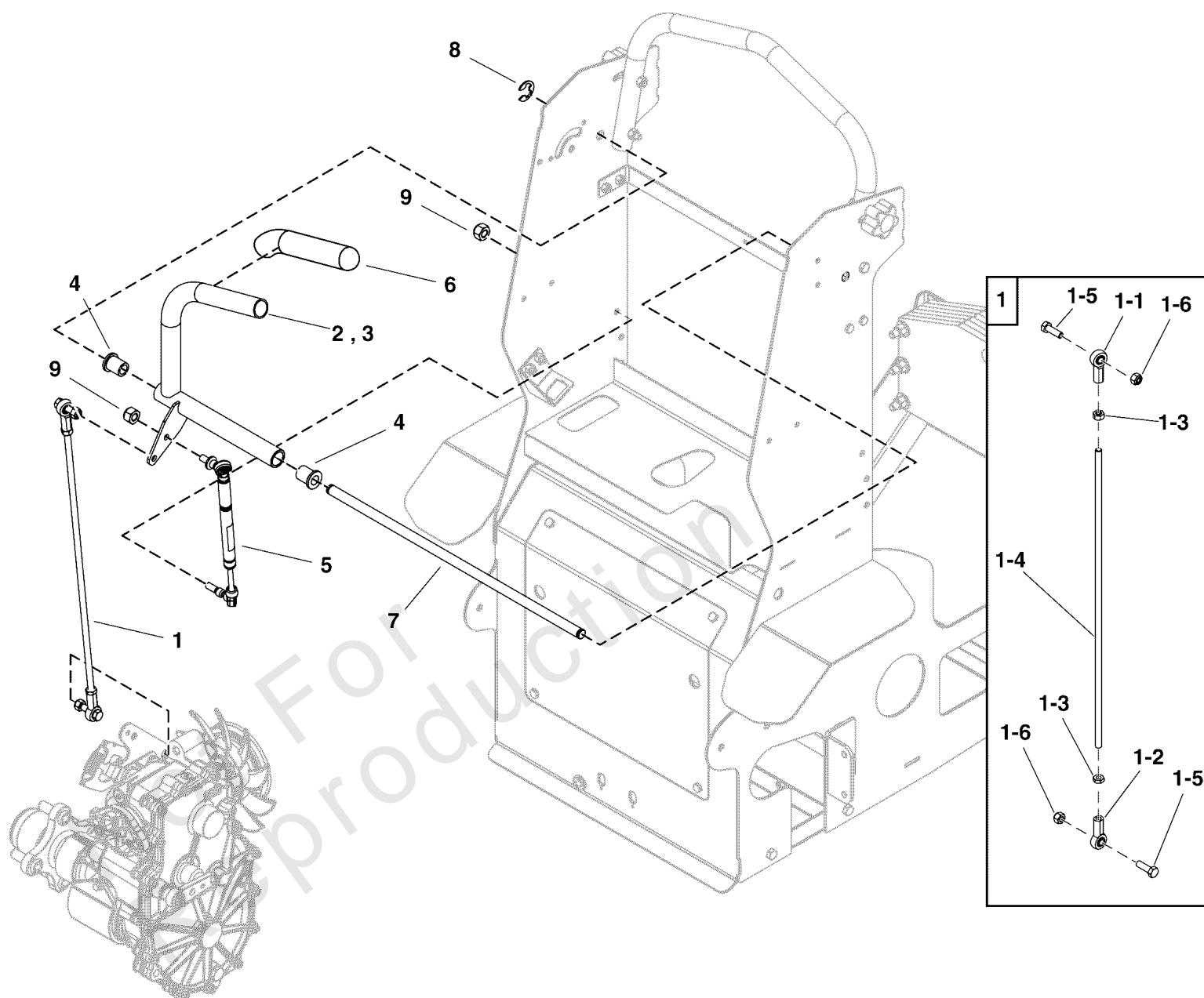
Main Frame Group S/N: 30000003686 and Above

| REF NO | PART NO | QTY | DESCRIPTION |
|--------|-----------|-----|---------------------------------------|
| 1 | 5423027 | 1 | WELD, MAIN FRAME LOWER |
| 2 | 5418332 | 1 | WELD, HAND CONTROLS |
| 3 | 84008740 | 1 | HANDLEBAR |
| 4 | 5418345 | 1 | WELD, LOWER MOUNT TRANSAXLE |
| 5 | 5418365 | 1 | WELD, BATTERY SUPPORT PLATE |
| 6 | 5418384 | 2 | WELD, PLATE COUNTER WEIGHT |
| 7 | 5422527 | 1 | PLATE, BACK W/ EXTENSION (SANDED) |
| 8 | 84008656 | 1 | TRIM |
| 9 | 5105788 | 1 | PLATE, PARKING BRAKE SWITCH |
| 10 | 5105893 | 4 | SCR-CAP, HEX .250"-20 X .500" SS188 |
| 11 | 5105992FS | 8 | NUT |
| 12 | 5106006FS | 10 | NUT |
| 13 | 5106024 | 4 | SCR-CAP, HEX .3125"-18 X .750" SS188 |
| 14 | 5106029 | 4 | SCR-CAP, HEX .250"-20 X .625" SS188 |
| 15 | 5106040FS | 6 | NUT |
| 16 | 5107649 | 12 | WSHR-SS, FLT .375"X.875"X.083" USS |
| 17 | 5106214 | 6 | SCR-CAP, HEX .250"-20 X .750" SS188 |
| 18 | 5106279 | 2 | KNOB, STATIONARY CONTROL BAR |
| 19 | 5106293 | 2 | SCR-CAP, HEX .3125"-18 X 1.750" SS188 |
| 20 | 5106454 | 1 | GROMMET, 0.375" I.D., FIT 0.500" HOLE |
| 21 | 5106580 | 4 | SCR-CAP, HEX .375"-16 X .750" SS188 |
| 22 | 5106648 | 6 | SCR-CAP, HEX .375"-16 X 3.500" SS188 |
| 23 | 5106649 | 2 | SCR-CAP, HEX .3125"-18 X .625" SS188 |
| 24 | 5418342 | 1 | BRACKET, EXPANSION TANK MOUNT |
| 25 | 84008741 | 1 | COVER, Engine |

Motion Control Lever Group

Note: Unless noted otherwise, use the standard torque specifications

Mfg. No: 5901755



Motion Control Lever Group

| REF NO | PART NO | QTY | DESCRIPTION |
|--------|----------|-----|--|
| 1 | ----- | 2 | ASM, MOTION CONTROL ROD |
| 1-1 | 5106245 | 1 | ROD END, FEMALE 5/16-24 LH ZP PTFE RACE |
| 1-2 | 5106244 | 1 | ROD END, FEMALE 5/16-24 RH ZP PTFE RACE |
| 1-3 | 5106688 | 2 | NUT-HEX, JAM .3125"-24 SS188 |
| 1-4 | 5418378 | 1 | ROD, CONTROL 5/16-24 THD X 18.50" MZ |
| 1-5 | 5106576 | 2 | SCR-CAP, HEX .3125"-18 X 1.000" SS188 |
| 1-6 | 5105992 | 2 | NUT-HEX-NYLK, 0.3125"-18 SS188 |
| 2 | 5418379 | 1 | WELD, LH CONTROL ARM -(Left Hand Control Arm)(Refer to Note: *) |
| 3 | 5418383 | 1 | WELD, RH CONTROL ARM -(Right Hand Control Arm)(Refer to Note: *) |
| 4 | 5106689 | 4 | BUSHING, FLANGE 1/2 ID X 3/4 OD X 1 LG -(Bushing with 3/4" OD) |
| 4 | 5108816 | 4 | BSHG-FL, .500" X .625" X .500", .875"x .062" IR -(Bushing with 5/8" OD) |
| 5 | 5106277 | 2 | DAMPER, CONTROL ARM -(S/N: 30000003685 and Below) |
| 6 | 5106278 | 2 | GRIP, MOTION CONTROL |
| 7 | 84008797 | 1 | ROD |
| 8 | 5106691 | 2 | E-RING, 0.500" SHAFT YZ |
| 9 | 5105992 | 4 | NUT-HEX-NYLK, 0.3125"-18 SS188 -(S/N: 30000003685 and Below) |

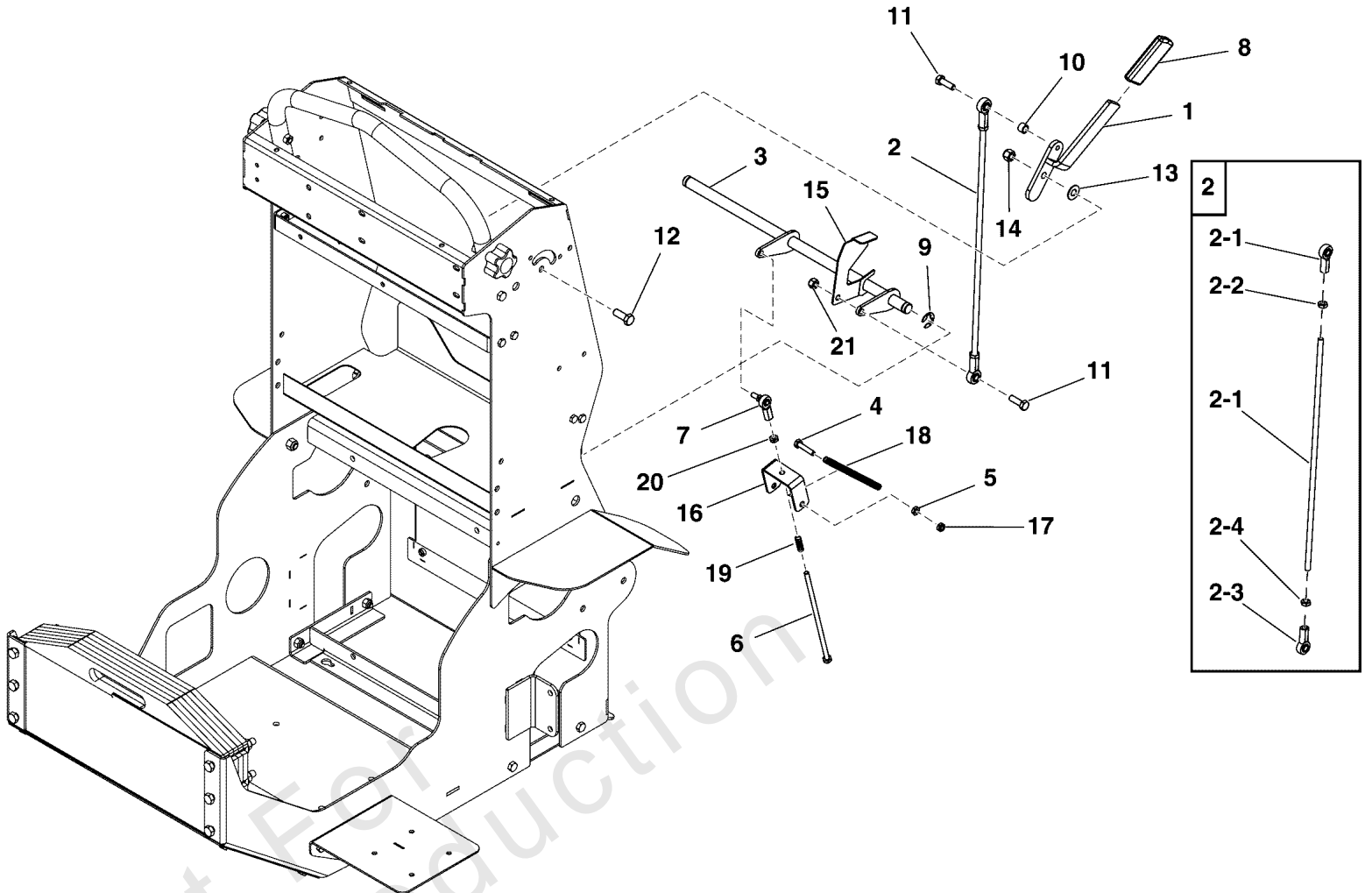
Footnotes:

Note: *If replacing you must also order 5108816 - Qty: 2.

Parking Brake Group

Note: Unless noted otherwise, use the standard torque specifications

Mfg. No: 5901755



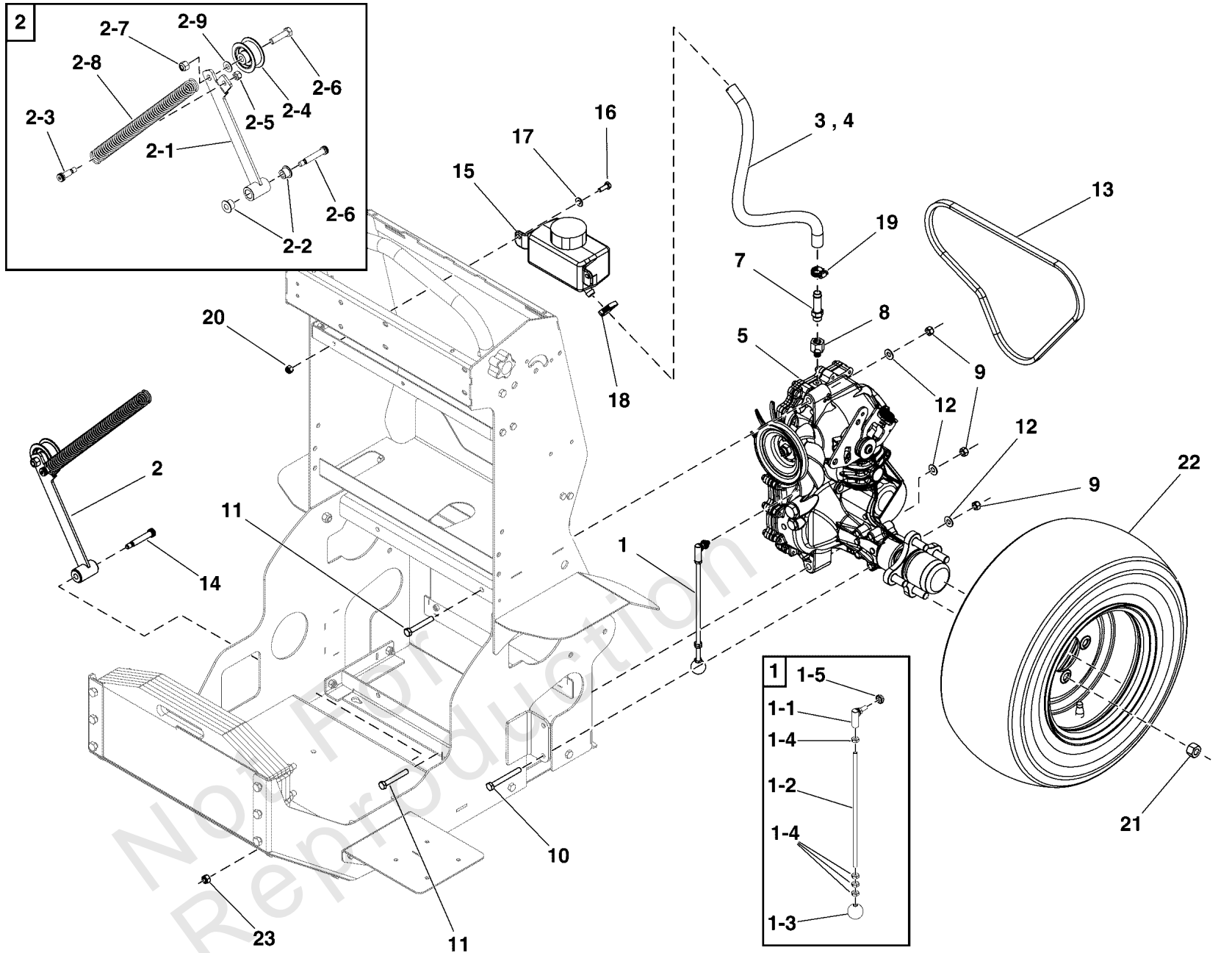
Parking Brake Group

| REF NO | PART NO | QTY | DESCRIPTION |
|--------|---------|-----|---|
| 1 | 5418372 | 1 | WELD, PARK BRAKE HANDLE |
| 2 | 5418375 | 1 | ASM, PARK BRAKE ROD |
| 2-1 | 5106686 | 1 | ROD, CONTROL 5/16-24 THD X 16.50" MZ |
| 2-2 | 5106245 | 1 | ROD END, FEMALE 5/16-24 LH ZP PTFE RACE |
| 2-3 | 5106244 | 1 | ROD END, FEMALE 5/16-24 RH ZP PTFE RACE |
| 2-4 | 5106688 | 2 | NUT-HEX, JAM .3125"-24 SS188 |
| 3 | 5418369 | 1 | WELD, PARK BRAKE SHAFT ASSEMBLY |
| 4 | 5106529 | 2 | SCR-CAP, HEX .250"-20 X 1.250" SS188 |
| 5 | 5105977 | 2 | NUT-HEX, JAM .250"-20 SS188 |
| 6 | 5106684 | 1 | SCR-CAP, HEX .250"-28 X 7.000" G5 ZP |
| 7 | 5106246 | 1 | ROD END, 1/4-28 WITH STUD |
| 8 | 5105900 | 1 | GRIP, .188" X 1.00" ID X .150" THK CLSD CELL FOAM |
| 9 | 5106685 | 2 | E-RING, 0.625" SHAFT YZ |
| 10 | 5106687 | 1 | SPCR-SS, 304 0.375" X 0.500" X .357" |
| 11 | 5106576 | 2 | SCR-CAP, HEX .3125"-18 X 1.000" SS188 |
| 12 | 5025649 | 1 | SCR-CAP, HEX .375"-16 X 1.000" SS188 |
| 13 | 5106168 | 1 | WSHR-STL, FLT .406" X .875" X .050" IS SS188 |
| 14 | 5106006 | 1 | NUT-HEX-NYLK, .375"-16 SS188 |
| 15 | 5105789 | 1 | PLATE, CONTACT, PARKING BRAKE SWITCH |
| 16 | 5418376 | 1 | BRACKET, LINKAGE PARK BRAKE |
| 17 | 5105915 | 2 | NUT-HEX-NYLK, .250"-20 TH SS188 |
| 18 | 5105889 | 2 | SPRING, EXTENSION .64" OD X 4.00" LG SS |
| 19 | 5106223 | 1 | SPRING, COMPRESSION .36 OD X 1.00 LG SS |
| 20 | 5106016 | 1 | NUT-HEX, JAM .250"-28 SS188 |
| 21 | 5105992 | 1 | NUT-HEX-NYLK, 0.3125"-18 SS188 |

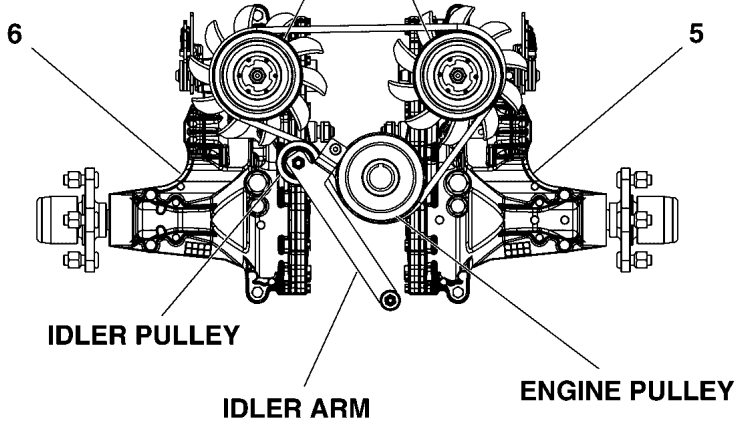
Power Transmission Group - S/N: 3000003664 and Below

Note: Unless noted otherwise, use the standard torque specifications

Mfg. No: 5901755



TRANSAXLE PULLEY

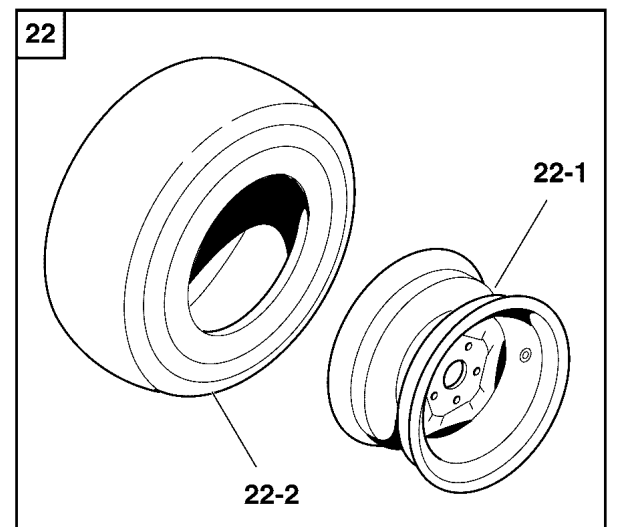


IDLER PULLEY

IDLER ARM

ENGINE PULLEY

**FRONT OF MACHINE
BELT ROUTING**



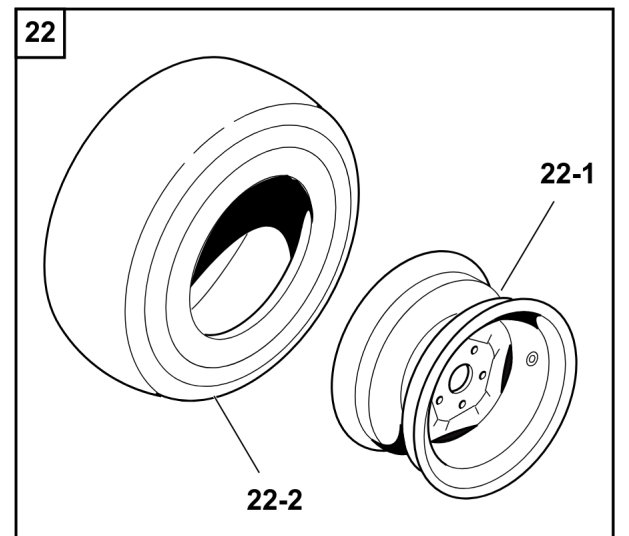
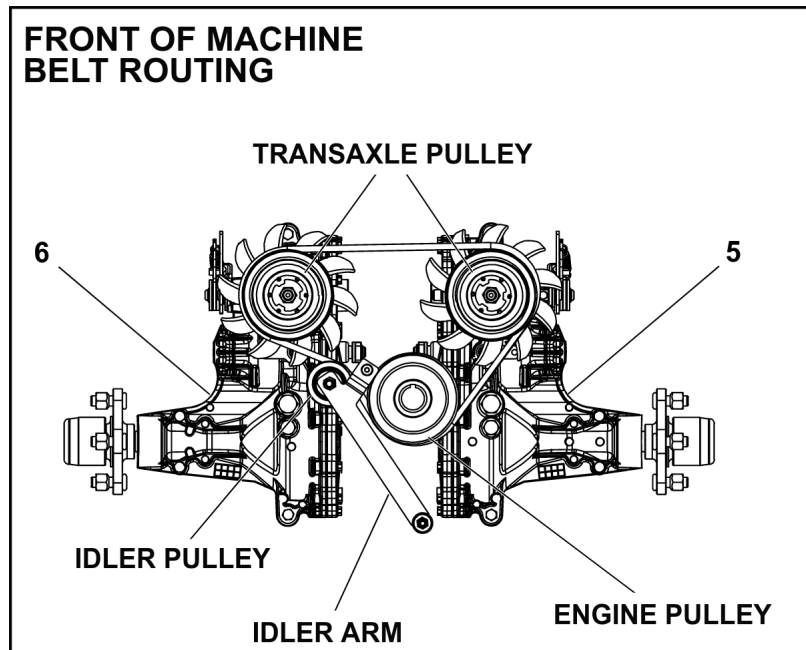
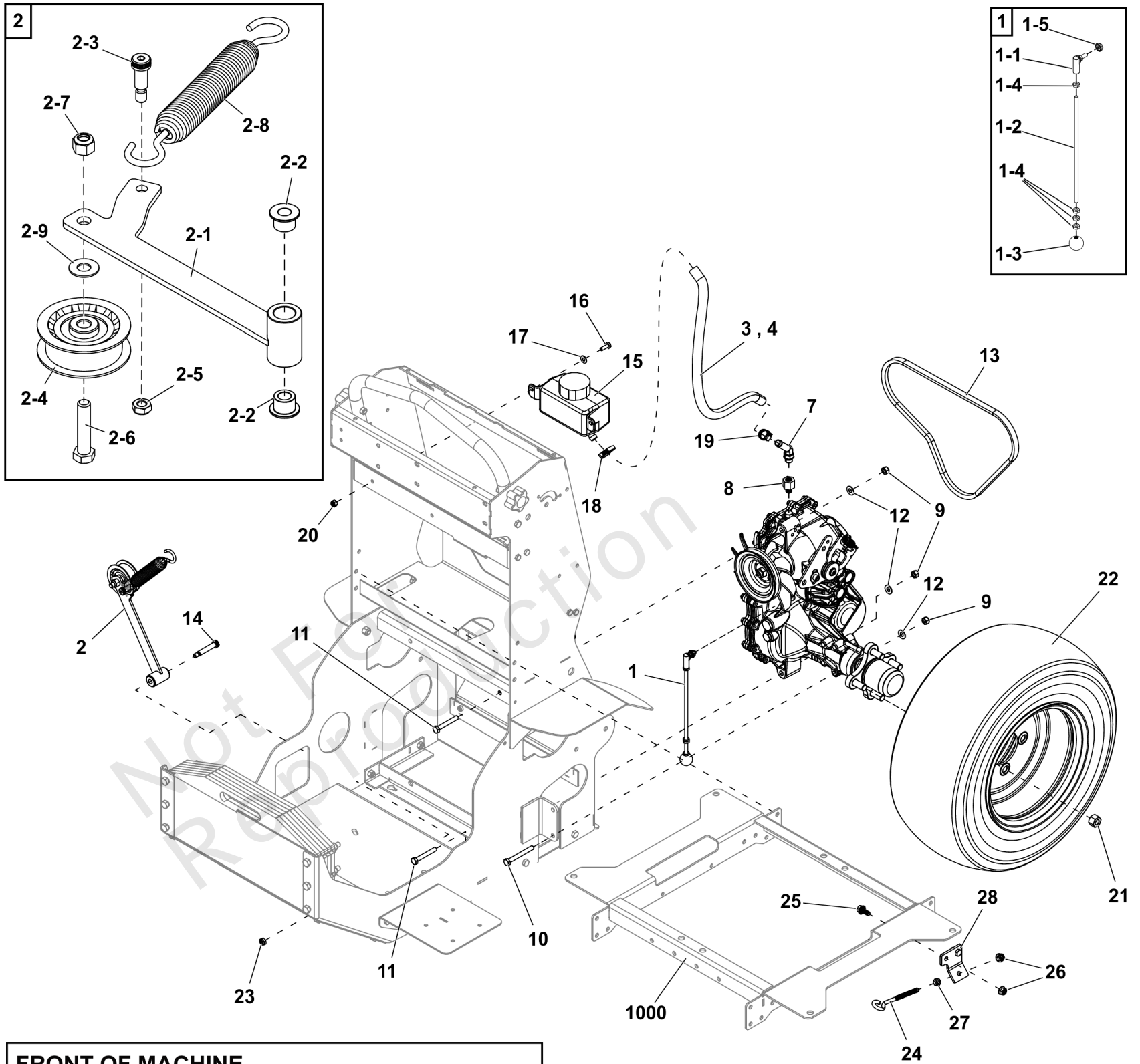
Power Transmission Group - S/N: 30000003664 and Below

| REF NO | PART NO | QTY | DESCRIPTION |
|--------|----------|-----|---|
| 1 | ----- | 2 | ASM, TRANSMISSION RELEASE |
| 1-1 | 5106658 | 1 | ROD END, FEM 1/4-28 RH SS PTFE RACE STUD |
| 1-2 | 5106660 | 1 | ROD, CONTROL 1/4-28 THD X 9.00" MZ |
| 1-3 | 5106659 | 1 | KNOB, BALL 1.000 OD W/1/4-28 INSERT |
| 1-4 | 5106016 | 4 | NUT-HEX, JAM .250"-28 SS188 |
| 1-5 | 5106742 | 1 | NUT-HEX-FGLK.250"-28 SS188 |
| 2 | ----- | 1 | ASM, IDLER ARM |
| 2-1 | 5422194 | 1 | IDLER ARM W/ BUSHINGS -(Includes item #2-2.) |
| 2-2 | 5106031 | 2 | BUSHING, FLANGE 3/8 ID X 5/8 OD X 1/2 LG |
| 2-3 | 5106712 | 1 | BLT-SLDR, SH .375" X 0.750", .3125"-18 X.500" G8ZY |
| 2-4 | 5108777 | 1 | PULLEY IDLER 2.75" OD X 3/8" BORE |
| 2-5 | 5108891 | 1 | NUT-HEX-NYLK, .260"-20 TH SS188 |
| 2-6 | 5106518 | 1 | SCR-CAP, HEX .375"-16 X 1.7500" SS188 |
| 2-7 | 5106006 | 1 | NUT-HEX-NYLK, .375"-16 SS188 |
| 2-8 | 80090207 | 1 | SPRING, SWIVEL HOOK, 9" X 1" |
| 2-9 | 5106168 | 1 | WSHR-STL, FLT .406" X .875" X .050" IS SS188 |
| 3 | 5106250 | 1 | HOSE, L EXP TANK, 18.5" LONG -(Connects to left expansion tank) |
| 4 | 5106251 | 1 | HOSE, R EXP TANK, 18" LONG -(Connects to right expansion tank) |
| 5 | 5106336 | 1 | TRANSAXLE, ZT3100, LH, ZL-GMPP-3B7B-1PXX -(S/N: 30000002448 and below) |
| 5 | 5109248 | 1 | TRANSAXLE, ZT3100, LH, ZL-GMPP-SB7B-1PXX -(S/N: 30000002249 and above) |
| 6 | 5106248 | 1 | TRANSAXLE, ZT3100, RH, ZL-KMPP-3B7C-1PXX -(S/N: 30000002448 and below) |
| 6 | 5109244 | 1 | TRANSAXLE, ZT3100, RH, ZL-KMPP-SB7C-1PXX -(S/N: 30000002249 and above) |
| 7 | 5106656 | 2 | FITTING, 08HB - 06MORB STRAIGHT |
| 8 | 5106657 | 2 | FITTING, 6410-04-06 |
| 9 | 5105992 | 9 | NUT-HEX-NYLK, 0.3125"-18 SS188 |
| 10 | 5106550 | 4 | SCR-CAP, HEX .3125"-18 X 2.750" SS188 |
| 11 | 5106056 | 4 | SCR-CAP, HEX .3125"-18 X 2.250" SS188 |
| 12 | 5106009 | 8 | WSHR-STL, FLT .343" X .750" X .050" SPC SS188 |
| 13 | 5106715 | 1 | BELT, V, AK36 38.00 OC OHR, KVR CD |
| 14 | 5106207 | 1 | BLT-SLDR SH.375"X1.75".3125"-18 X.50" SS188 |
| 15 | 5106692 | 1 | HYDRO RES. # 71328, 350 ml |
| 16 | 5106214 | 2 | SCR-CAP, HEX .250"-20 X .750" SS188 |
| 17 | 5106067 | 2 | WSHR-STL, FLT .281" X .625" X .050" IS SS188 |
| 18 | 5106655 | 2 | SNAP GRIP CLAMP .656 - .750 ID |
| 19 | 5106683 | 2 | CLAMP, MINIATURE WORM GEAR MAH6 |
| 20 | 5106040 | 2 | NUT-HEX-NYLK, .250"-20 SS188 |
| 21 | 5105964 | 8 | NUT-LUG, .500"-20 ZP |
| 22 | 5106714 | 2 | ASM, WHEEL & TIRE 20" X 10.00" - 12 LAWN BOSS |
| 22-1 | ----- | 1 | RIM, Wheel |
| 22-2 | ----- | 1 | TIRE, (ONLY) |
| 23 | 5108891 | 1 | NUT-HEX-NYLK, .260"-20 TH SS188 |

Power Transmission Group - S/N: 3000003665 and Above

Note: Unless noted otherwise, use the standard torque specifications

Mfg. No: 5901755

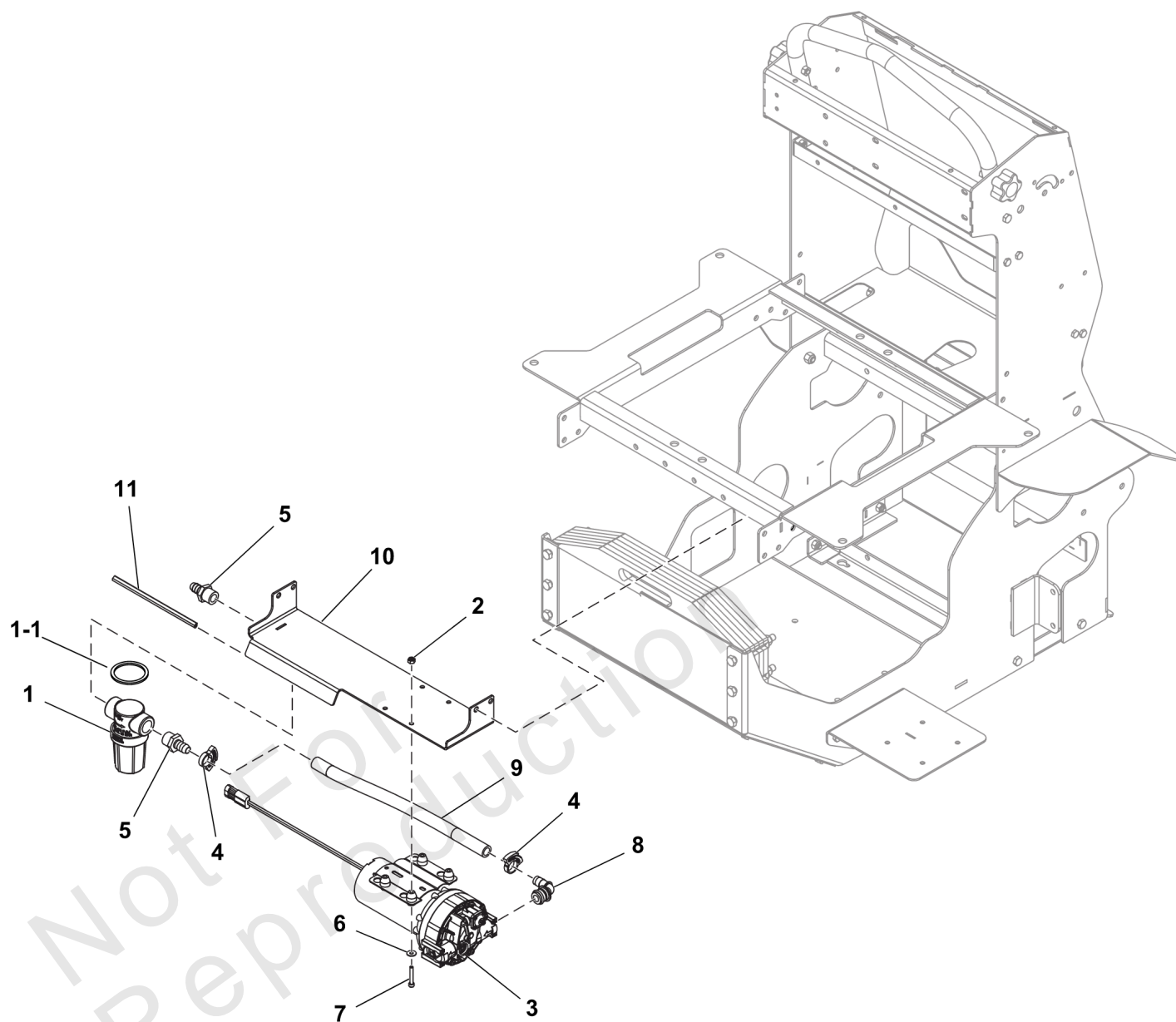


Power Transmission Group - S/N: 30000003665 and Above

| REF NO | PART NO | QTY | DESCRIPTION |
|--------|----------|-----|--|
| 1 | ----- | 2 | ASM, TRANSMISSION RELEASE |
| 1-1 | 5106658 | 1 | ROD END, FEM 1/4-28 RH SS PTFE RACE STUD |
| 1-2 | 5106660 | 1 | ROD, CONTROL 1/4-28 THD X 9.00" MZ |
| 1-3 | 5106659 | 1 | KNOB, BALL 1.000 OD W/1/4-28 INSERT |
| 1-4 | 5106016 | 4 | NUT-HEX, JAM .250"-28 SS188 |
| 1-5 | 5106742 | 1 | NUT-HEX-FGLK.250"-28 SS188 |
| 2 | ----- | 1 | ASM, IDLER ARM |
| 2-1 | 5422194 | 1 | IDLER ARM W/ BUSHINGS -(Includes item #2-2.) |
| 2-2 | 5106031 | 2 | BUSHING, FLANGE 3/8 ID X 5/8 OD X 1/2 LG |
| 2-3 | 5106712 | 1 | BLT-SLDR, SH .375" X 0.750", .3125"-18 X.500" G8ZY |
| 2-4 | 5108777 | 1 | PULLEY IDLER 2.75" OD X 3/8" BORE |
| 2-5 | 5108891 | 1 | NUT-HEX-NYLK, .260"-20 TH SS188 |
| 2-6 | 5106518 | 1 | SCR-CAP, HEX .375"-16 X 1.7500" SS188 |
| 2-7 | 5106006 | 1 | NUT-HEX-NYLK, .375"-16 SS188 |
| 2-8 | 84008048 | 1 | SPRING, Extension |
| 2-9 | 5106168 | 1 | WSHR-STL, FLT .406" X .875" X .050" IS SS188 |
| 3 | 5106250 | 1 | HOSE, L EXP TANK, 18.5" LONG -(Connects to left expansion tank) |
| 4 | 5106251 | 1 | HOSE, R EXP TANK, 18" LONG -(Connects to right expansion tank) |
| 5 | 5109248 | 1 | TRANSAXLE, ZT3100, LH, ZL-GMPP-SB7B-1PXX |
| 5-1 | 84008674 | 1 | KIT, Seal -(Seal kit to service transaxle.) |
| 6 | 5109244 | 1 | TRANSAXLE, ZT3100, RH, ZL-KMPP-SB7C-1PXX |
| 6-1 | 84008674 | 1 | KIT, Seal -(Seal kit to service transaxle.) |
| 7 | 5106656 | 2 | FITTING, 08HB - 06MORB STRAIGHT |
| 8 | 5106657 | 2 | FITTING, 6410-04-06 |
| 9 | 5105992 | 9 | NUT-HEX-NYLK, 0.3125"-18 SS188 |
| 10 | 5106550 | 4 | SCR-CAP, HEX .3125"-18 X 2.750" SS188 |
| 11 | 5106056 | 4 | SCR-CAP, HEX .3125"-18 X 2.250" SS188 |
| 12 | 5106009 | 8 | WSHR-STL, FLT .343" X .750" X .050" SPC SS188 |
| 13 | 84008474 | 1 | BELT, Transmission |
| 14 | 5106207 | 1 | BLT-SLDR SH.375"X1.75".3125"-18 X.50" SS188 |
| 15 | 5106692 | 1 | HYDRO RES. # 71328, 350 ml |
| 16 | 5106214 | 2 | SCR-CAP, HEX .250"-20 X .750" SS188 |
| 17 | 5106067 | 2 | WSHR-STL, FLT .281" X .625" X .050" IS SS188 |
| 18 | 5106655 | 2 | SNAP GRIP CLAMP .656 - .750 ID |
| 19 | 5106683 | 2 | CLAMP, MINIATURE WORM GEAR MAH6 |
| 20 | 5106040 | 2 | NUT-HEX-NYLK, .250"-20 SS188 |
| 21 | 5105964 | 8 | NUT-LUG, .500"-20 ZP |
| 22 | 5106714 | 2 | ASM, WHEEL & TIRE 20" X 10.00" - 12 LAWN BOSS |
| 22-1 | ----- | 1 | RIM, Wheel |
| 22-2 | ----- | 1 | TIRE, (ONLY) |
| 23 | 5108891 | 1 | NUT-HEX-NYLK, .260"-20 TH SS188 |
| 24 | 5110324 | 1 | EYE BOLT, 5/16 x 6-1/4 SST, 3" THRD LGTH |
| 25 | 5108284 | 1 | SCR-CAP, HSWH .313"-18 X .750" SS188 |
| 26 | 5107653 | 2 | NUT-HEX-NYLK, FLG .3125"-18 SS188 |
| 27 | 5106159 | 1 | NUT-HEX, .3125"-18 SS188 |
| 28 | 5422742 | 1 | WELD, SPRING ANCHOR PLATE, VENTURE |
| 1000 | REF-STG | 0 | Refer to Spray Tank Group |

Pump / Valve System Group

| REF NO | PART NO | QTY | DESCRIPTION |
|--------|----------|-----|--|
| 1 | ----- | 1 | REFER TO: SPRAY TOGGLE VALVE ASSEMBLY GROUP |
| 2 | 5106675 | 1 | FITTING, ELBOW, 3/4 QA - 1/2 BARB |
| 3 | 5106655 | 8 | SNAP GRIP CLAMP .656 - .750 ID -(S/N: 30000003685 and Below) |
| 3 | 84008744 | 8 | CLAMP -(S/N: 30000003686 and Above) |
| 4 | 5418416 | 1 | HOSE, VALVE INLET, 0.5" ID, 54" LONG -(S/N: 30000003685 and Below) |
| 4 | 84008664 | 1 | HOSE, Chemical -(S/N: 30000003686 and Above) |
| 5 | 5418417 | 1 | HOSE, LEFT BOOM, 0.5" ID, 86" LONG -(S/N: 30000003685 and Below) |
| 5 | 84008665 | 1 | HOSE, Chemical -(S/N: 30000003686 and Above) |
| 6 | 5418418 | 1 | HOSE, CENTER SPRAY, 0.5" ID, 61" LONG -(S/N: 30000003685 and Below) |
| 6 | 84008666 | 1 | HOSE, Chemical -(S/N: 30000003686 and Above) |
| 7 | 5418419 | 1 | HOSE, RIGHT BOOM, 0.5" ID, 84" LONG -(S/N: 30000003685 and Below) |
| 7 | 84008667 | 1 | HOSE, Chemical -(S/N: 30000003686 and Above) |
| 8 | 5106214 | 4 | SCR-CAP, HEX .250"-20 X .750" SS188 |
| 9 | 5106067 | 4 | WSHR-STL, FLT .281" X .625" X .050" IS SS188 |
| 10 | 5106040 | 4 | NUT-HEX-NYLK, .250"-20 SS188 |



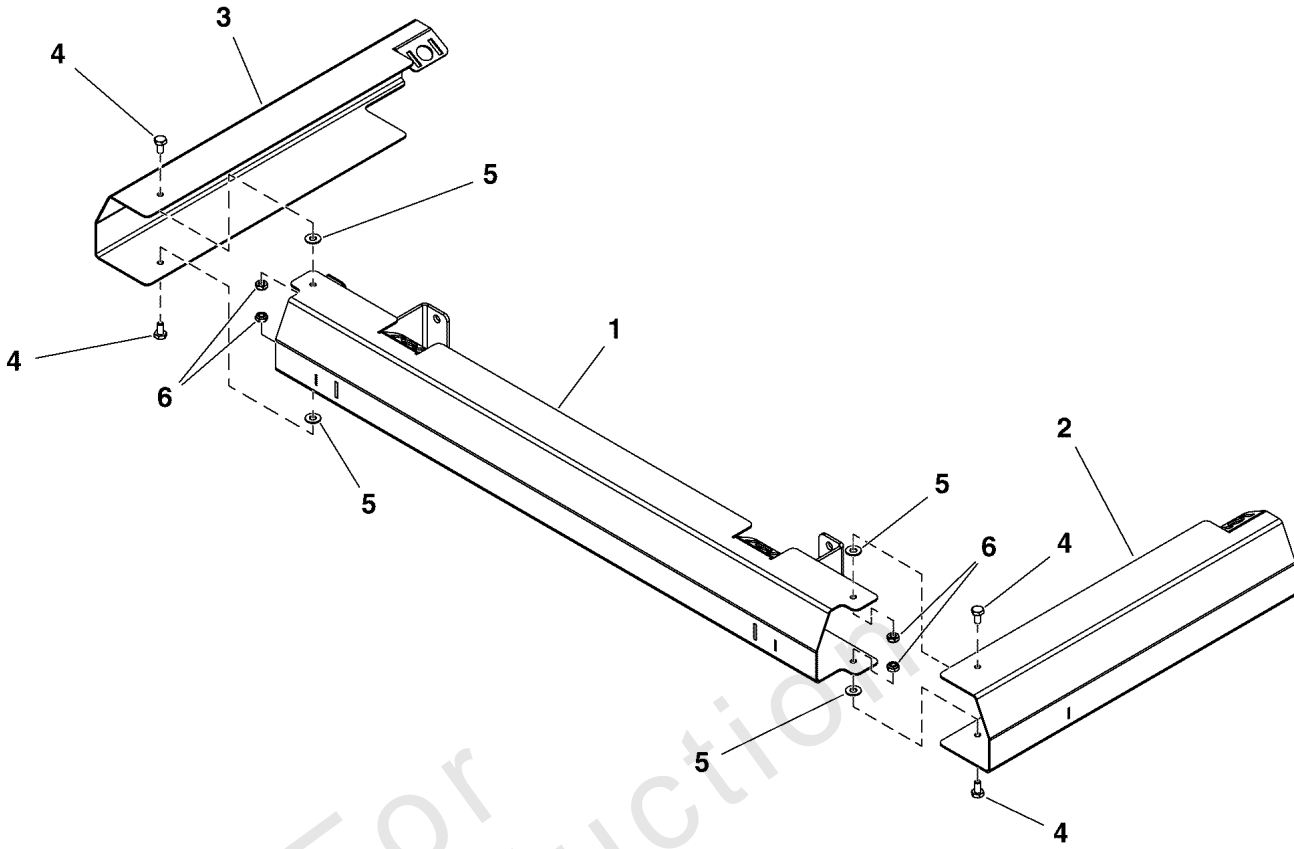
Pump Venture Group

| REF NO | PART NO | QTY | DESCRIPTION |
|--------|-----------|-----|--|
| 1 | 84008892 | 1 | STRAINER -(Includes item #1-1.) |
| 1-1 | 84009456 | 1 | GASKET |
| 2 | 5105963FS | 4 | NUT |
| 3 | 5106237 | 1 | PUMP, VENTURE -(S/N: 30000003685 and Below) |
| 3 | 84008743 | 1 | PUMP -(S/N: 30000003686 and Above) |
| 4 | 5106655 | 2 | SNAP GRIP CLAMP .656 - .750 ID -(S/N: 30000003685 and Below) |
| 4 | 84008744 | 2 | CLAMP -(S/N: 30000003686 and Above) |
| 5 | 5106663 | 2 | FITTING, 1/2 MPT - 1/2 BARB |
| 6 | 5106673 | 4 | WSHR-STL, FLT .203" X .562" X .040 IS SS188 |
| 7 | 5106674 | 4 | SCR-CAP SH, #10-24 X 1.250" SS188 |
| 8 | 5106675 | 1 | FITTING, ELBOW, 3/4 QA - 1/2 BARB |
| 9 | 5418415 | 1 | HOSE, PUMP SUCTION, 0.5" ID, 12" LONG -(S/N: 30000003685 and Below) |
| 9 | 84008654 | 1 | HOSE, Chemical -(S/N: 30000003686 and Above) |
| 10 | 5418424 | 1 | WELD, FILTER MOUNT BRACKET -(S/N: 30000003685 and Below) |
| 10 | 84008655 | 1 | BRACKET, Mounting -(S/N: 30000003686 and Above) |
| 11 | 5418427 | 1 | TRIM FOR CONSOLE, 7 INCH -(S/N: 30000003685 and Below) |
| 11 | 84008656 | 1 | TRIM -(S/N: 30000003686 and Above) |

Spray Bar Folding Boom Assembly Group

Note: Unless noted otherwise, use the standard torque specifications

Mfg. No: 5901755



Not For
Reproduction

Spray Bar Folding Boom Assembly Group

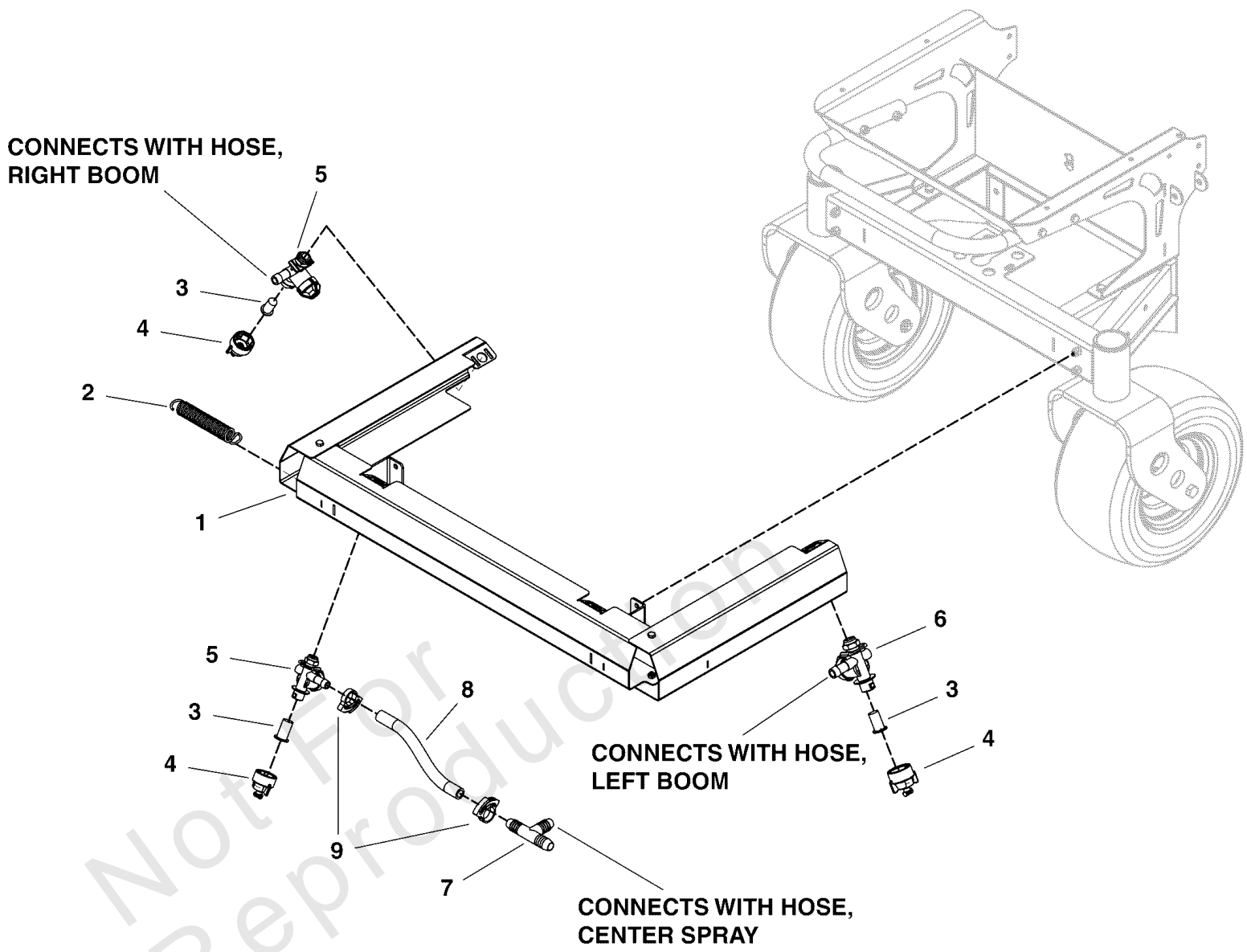
| REF NO | PART NO | QTY | DESCRIPTION |
|--------|---------|-----|--|
| 1 | 5418394 | 1 | WELD, CENTER, SPRAY BAR, FOLDING BOOMS |
| 2 | 5418398 | 1 | WELD, LEFT, SPRAY BAR, FOLDING BOOMS |
| 3 | 5418400 | 1 | WELD, RIGHT, SPRAY BAR, FOLDING BOOMS |
| 4 | 5105893 | 4 | SCR-CAP, HEX .250"-20 X .500" SS188 |
| 5 | 5106067 | 4 | WSHR-STL, FLT .281" X .625" X .050" IS SS188 |
| 6 | 5105915 | 4 | NUT-HEX-NYLK, .250"-20 TH SS188 |

Not For Reproduction

Spray Bar Group

Note: Unless noted otherwise, use the standard torque specifications

Mfg. No: 5901755



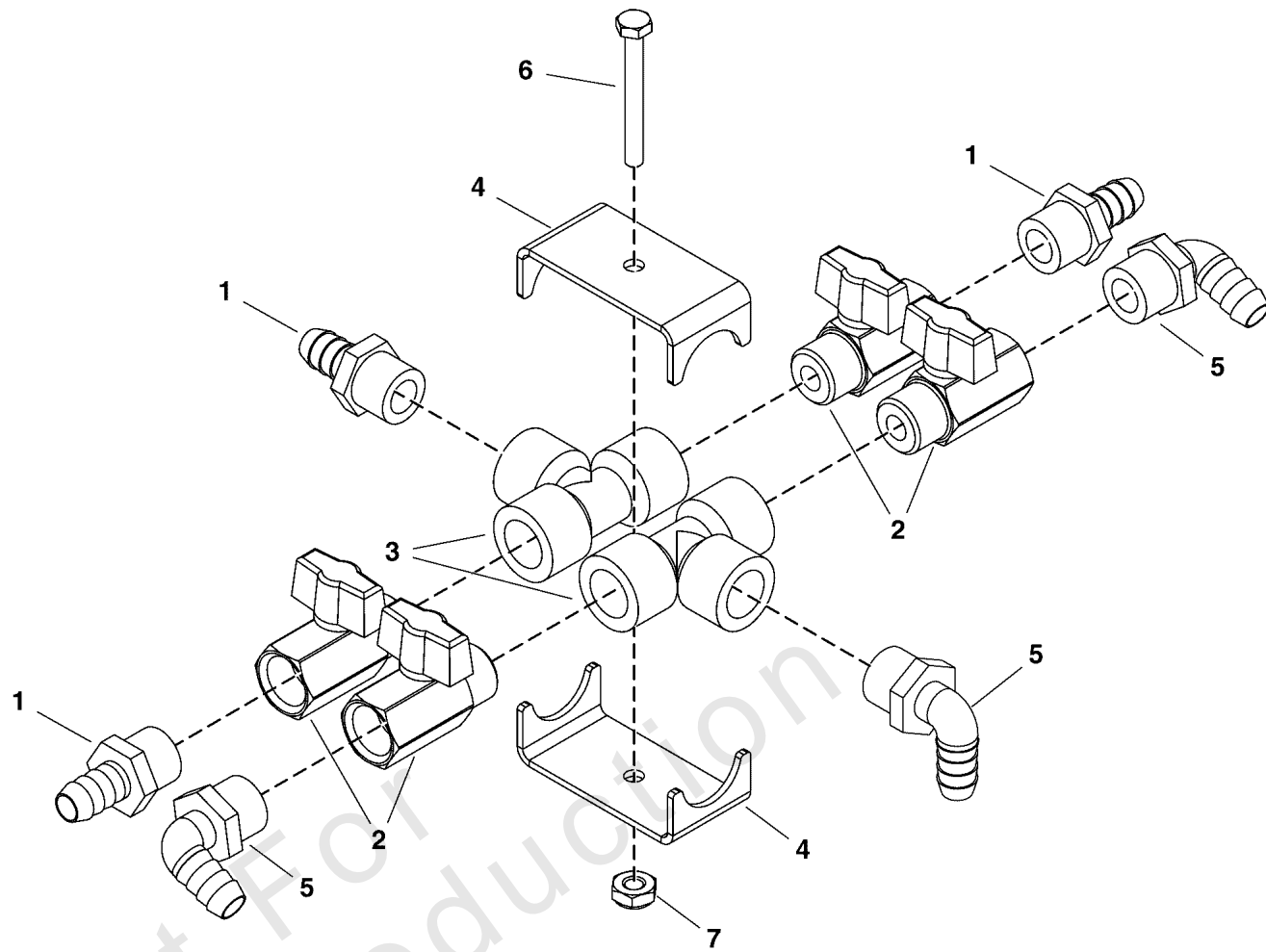
Spray Bar Group

| REF NO | PART NO | QTY | DESCRIPTION |
|--------|-----------|-----|---|
| 1 | ----- | 1 | ASM, SPRAY BAR , FOLDING BOOMS |
| 2 | 5105972 | 2 | SPRING, EXTENSION .64" OD X 4.00" LG SS |
| 3 | 5105904 | 4 | STRAINER, 50 MESH, POLYPROPYLENE TIP |
| 4 | 5106034 | 4 | NOZZLE, TIP, WIDE ANGLE, .03 ORIFICE -(S/N: 30000003685 and Below) |
| 4 | 84008663 | 4 | TIP, Spray -(S/N: 30000003686 and Above) |
| 5 | 5106025 | 2 | DIAPHRAGM CHECK VALVE, RIGHT |
| 6 | 5106035 | 2 | DIAPHRAGM CHECK VALVE, LEFT |
| 7 | 5106713 | 1 | FITTING, TEE, 1/2" MPT |
| 8 | 5418420 | 2 | HOSE, NOZZLE SUPPLY, 0.5" ID, 8.75" LONG -(S/N: 30000003685 and Below) |
| 8 | 84008662 | 2 | HOSE, Chemical -(S/N: 30000003686 and Above) |
| 9 | 5106655 | 4 | SNAP GRIP CLAMP .656 - .750 ID -(S/N: 30000003685 and Below) |
| 9 | 84008744 | 4 | CLAMP -(S/N: 30000003686 and Above) |
| 10 | 5106024 | 4 | SCR-CAP, HEX .3125"-18 X .750" SS188 |
| 11 | 5105992FS | 4 | NUT |

Spray Tank Valve Group

Note: Unless noted otherwise, use the standard torque specifications

Mfg. No: 5901755



Spray Tank Valve Group

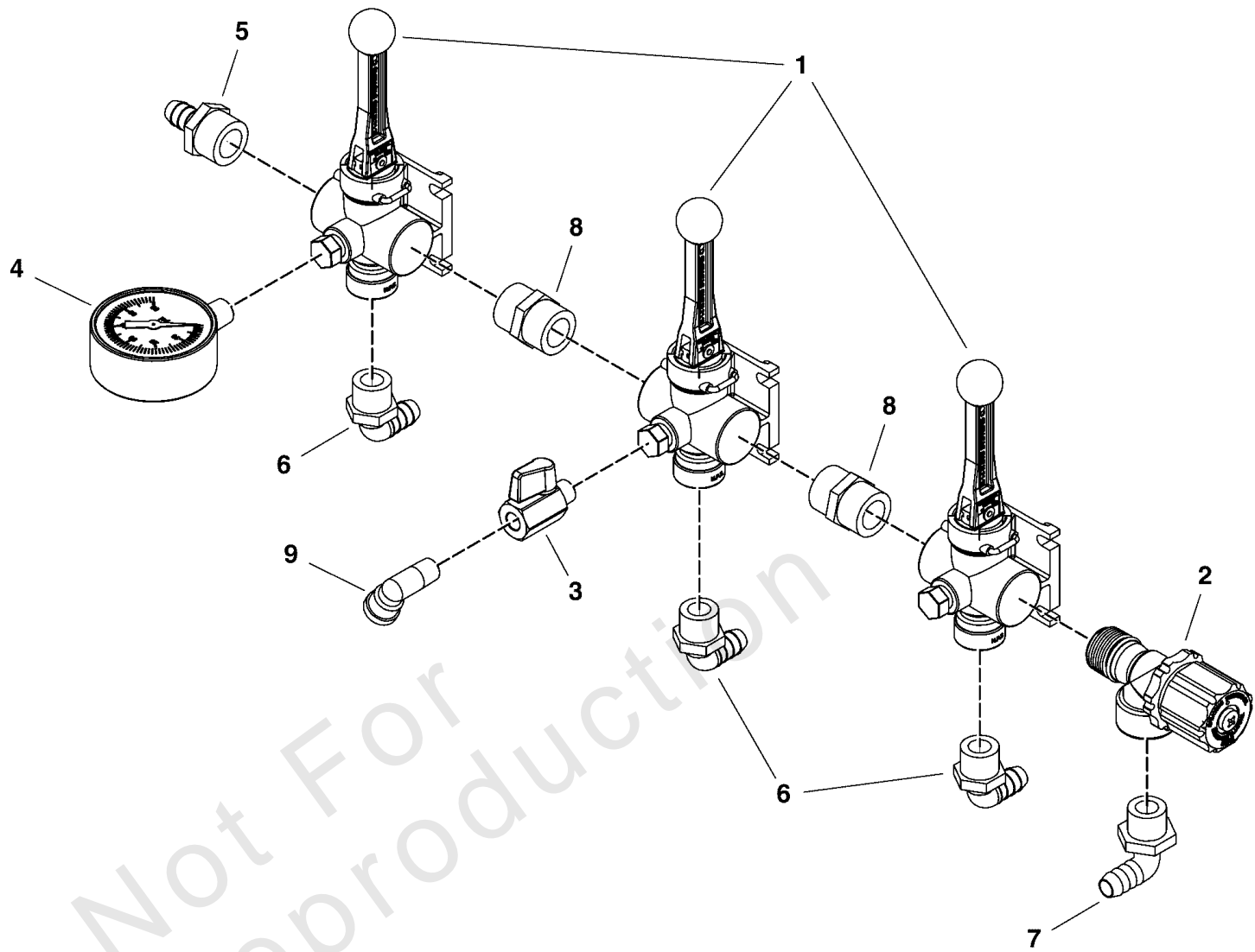
| REF NO | PART NO | QTY | DESCRIPTION |
|--------|---------|-----|---------------------------------------|
| 1 | 5106663 | 3 | FITTING, 1/2 MPT - 1/2 BARB |
| 2 | 5106003 | 4 | VALVE, BALL, 1/2 MPT - 1/2 FPT |
| 3 | 5106668 | 2 | FITTING, TEE, 1/2" FPT |
| 4 | 5418362 | 2 | PLATE, TIE SPRAY FITTING |
| 5 | 5106665 | 3 | FITTING, 1/2 MPT - 1/2 BARB, 90 ELBOW |
| 6 | 5106671 | 1 | SCR-CAP, HEX .250"-20 X 2.250" SS188 |
| 7 | 5105915 | 1 | NUT-HEX-NYLK, .250"-20 TH SS188 |

Not For Reproduction

Spray Toggle Valve Group

Note: Unless noted otherwise, use the standard torque specifications

Mfg. No: 5901755



Spray Toggle Valve Group

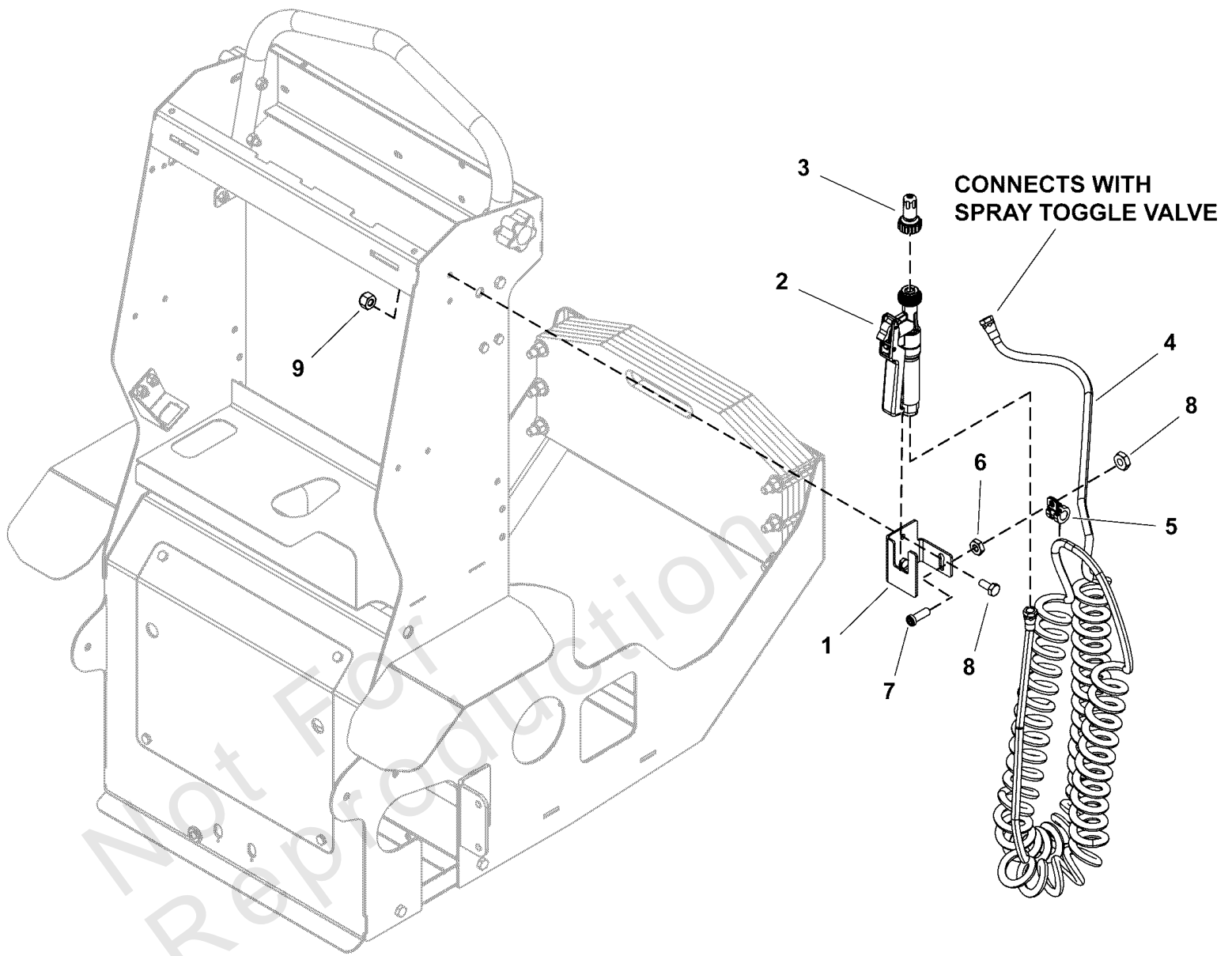
| REF NO | PART NO | QTY | DESCRIPTION |
|--------|---------|-----|---|
| 1 | 5106284 | 3 | VALVE, DIRECTIONAL FLOW CONTROL, 12 GPM |
| 2 | 5106149 | 1 | VALVE, PRESSURE RELIEF, SPRAYING SYSTEM |
| 3 | 5106265 | 1 | VALVE, BALL, 1/4 MPT - 1/4 FPT |
| 4 | 5106266 | 1 | GAUGE, 0-60 PSI, 1/4 NPT, SS GLYC. FILLED |
| 5 | 5106127 | 1 | FITTING, 3/4 MPT - 1/2 BARB -(S/N: 30000003685 and Below) |
| 5 | 5108467 | 1 | FTG, STR 3/4" MNPT - 1/2" HB BPP -(S/N: 30000003686 and Above) |
| 6 | 5106665 | 3 | FITTING, 1/2 MPT - 1/2 BARB, 90 ELBOW |
| 7 | 5106667 | 1 | FITTING, 3/4 MPT - 1/2 BARB, 90 ELBOW |
| 8 | 5106666 | 2 | NIPPLE, 3/4 MPT - 3/4 MPT |
| 9 | 5106141 | 1 | STREET ELBOW, 1/4 MPT-1/4 FPT, 90 DEG |

Not For Reproduction

Spray Wand Group S/N: 3000003685 and Below

Note: Unless noted otherwise, use the standard torque specifications

Mfg. No: 5901755



Spray Wand Group S/N: 3000003685 and Below

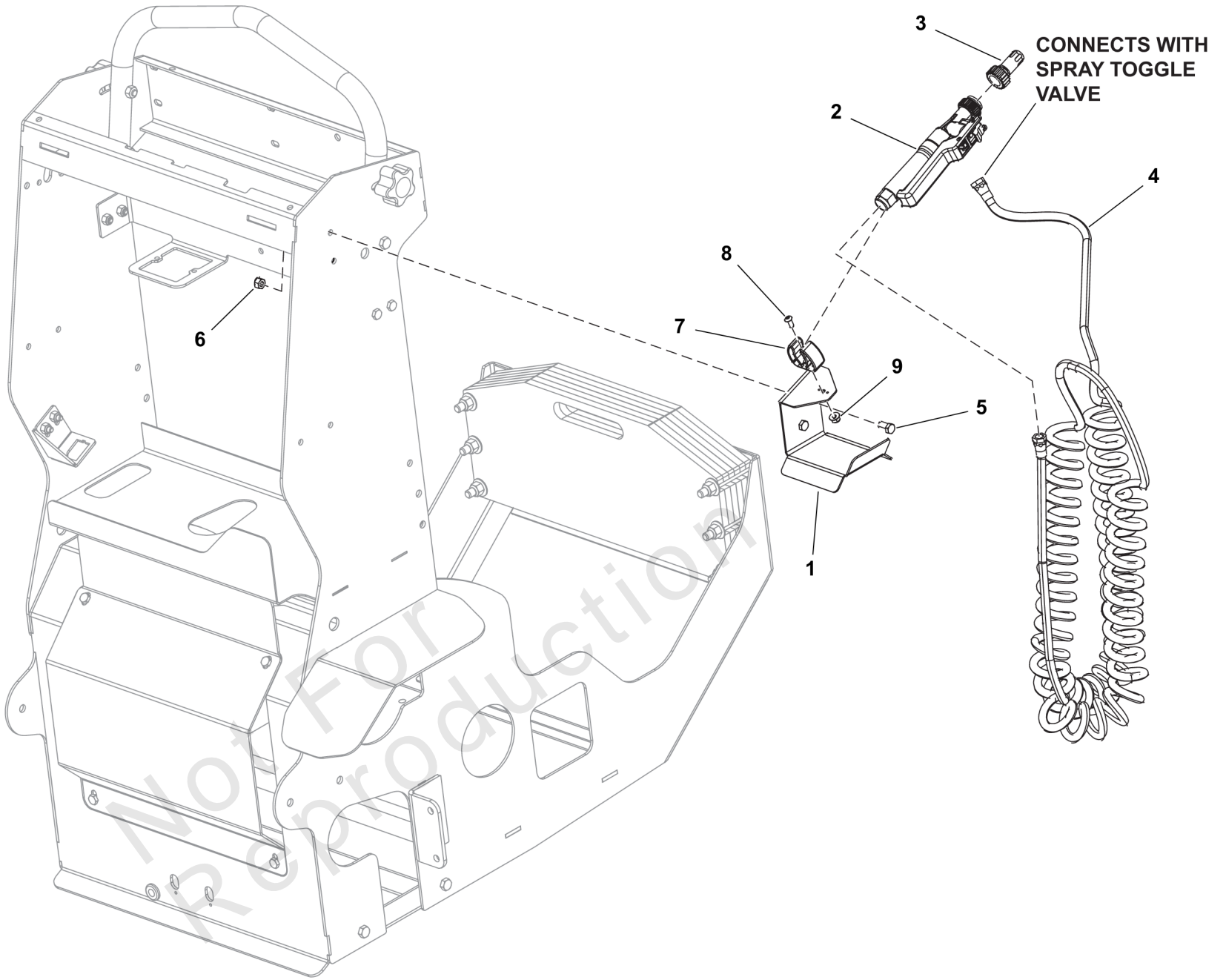
| REF NO | PART NO | QTY | DESCRIPTION |
|--------|---------|-----|--|
| 1 | 5106085 | 1 | BRACKET, SPRAY WAND HOLDER |
| 2 | 5105944 | 1 | SPRAY GUN, 1/4 FPT |
| 3 | 5106679 | 1 | NOZZLE TIP, ADJUSTABLE SPRAY, STANDARD |
| 4 | 5106055 | 1 | HOSE, COIL 25 FT |
| 5 | 5106054 | 1 | CLAMP, SPRAY WAND LOOP |
| 6 | 5105977 | 8 | NUT-HEX, JAM .250"-20 SS188 |
| 7 | 5106125 | 1 | SCR-CAP, SHLP .250-20 X .750" G8 ZP |
| 8 | 5106029 | 2 | SCR-CAP, HEX .250"-20 X .625" SS188 |
| 9 | 5106040 | 2 | NUT-HEX-NYLK, .250"-20 SS188 |

Not For Reproduction

Spray Wand Group S/N: 3000003686 and Above

Note: Unless noted otherwise, use the standard torque specifications

Mfg. No: 5901755



Spray Wand Group S/N: 3000003686 and Above

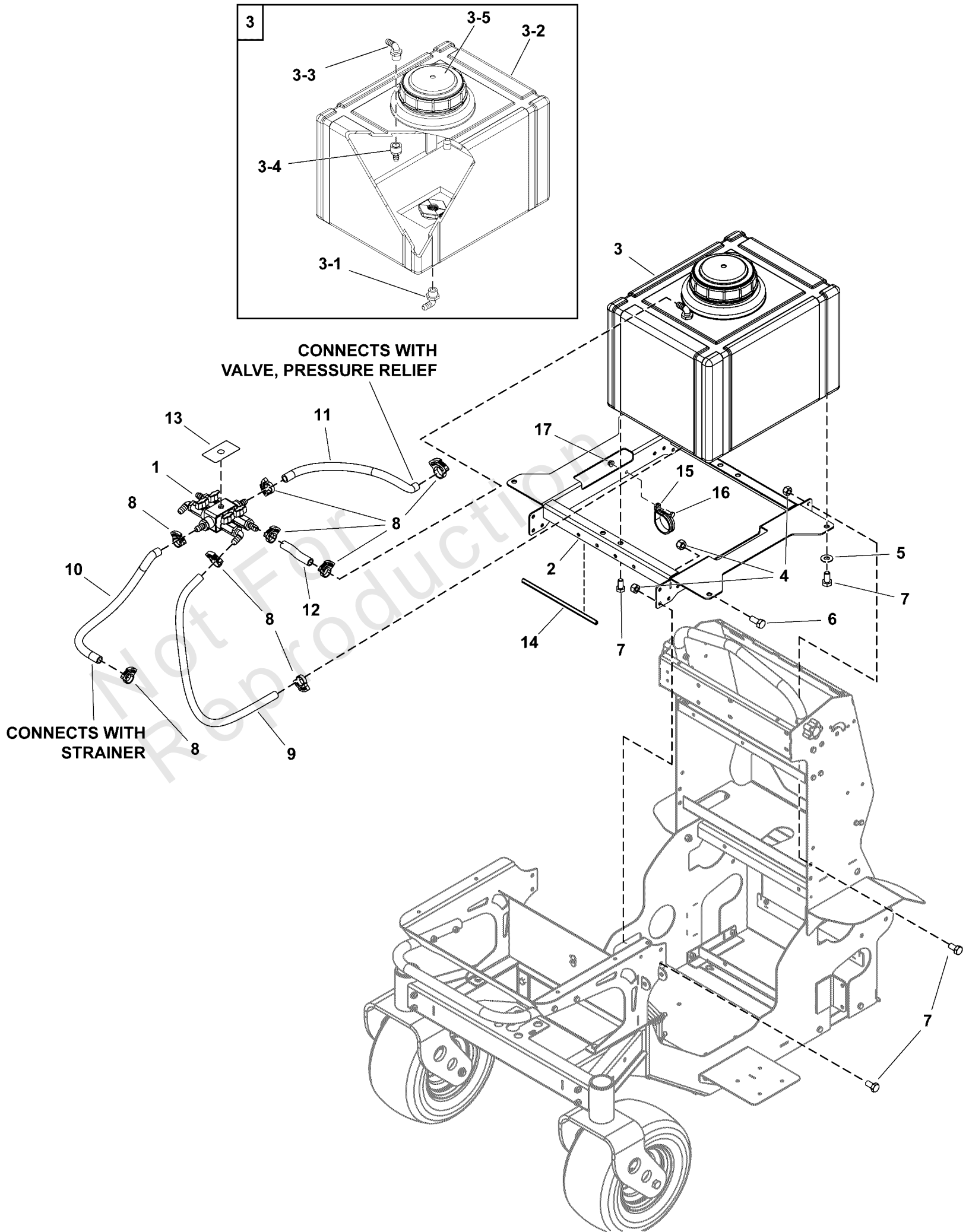
| REF NO | PART NO | QTY | DESCRIPTION |
|--------|-----------|-----|--|
| 1 | 84008745 | 1 | BRACKET |
| 2 | 5105944 | 1 | SPRAY GUN, 1/4 FPT |
| 3 | 5106679 | 1 | NOZZLE TIP, ADJUSTABLE SPRAY, STANDARD |
| 4 | 5106055 | 1 | HOSE, COIL 25 FT |
| 5 | 5106029 | 2 | SCR-CAP, HEX .250"-20 X .625" SS188 |
| 6 | 5106040FS | 2 | NUT |
| 7 | 5108265 | 1 | CLIP, .750" O.D. OIL DRAIN HOSE |
| 8 | 5105978 | 1 | SCR-CAP, BSH #10-24 X .500" SS188 |
| 9 | 5108133 | 1 | NUT-HEX-NYLK, FLG .#10-24 SS188 |

Not For Reproduction

Sprayer Tank Group S/N: 3000003685 and Below

Note: Unless noted otherwise, use the standard torque specifications

Mfg. No: 5901755



Sprayer Tank Group S/N: 3000003685 and Below

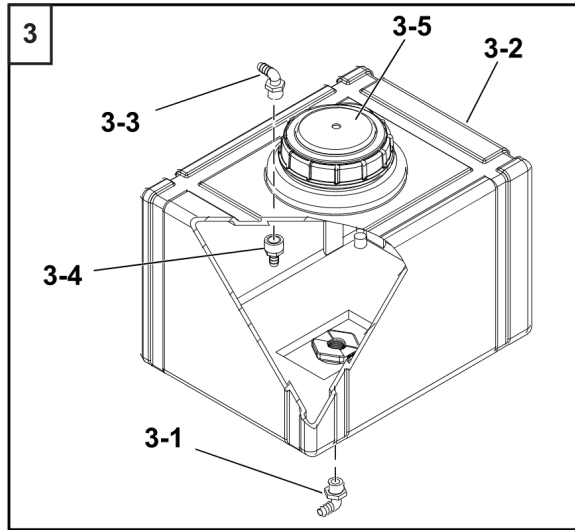
| REF NO | PART NO | QTY | DESCRIPTION |
|--------|---------|-----|---|
| 1 | ----- | 1 | Refer to: Spray Tank Valve Group |
| 2 | 5418359 | 1 | WELD, SPRAY TANK MOUNT |
| 3 | 5418422 | 2 | ASM, SPRAY TANK |
| 3-1 | 5106667 | 1 | FITTING, 3/4 MPT - 1/2 BARB, 90 ELBOW |
| 3-2 | ----- | 1 | TANK, 12 GAL RT W/SUMP HDPE NAT |
| 3-3 | 5106665 | 1 | FITTING, 1/2 MPT - 1/2 BARB, 90 ELBOW |
| 3-4 | 5106672 | 1 | FITTING, 1/2 FPT - 1/2 BARB |
| 3-5 | 5105985 | 1 | LID, TANK, SPRAY (G0134) |
| 4 | 5105992 | 12 | NUT-HEX-NYLK, 0.3125"-18 SS188 |
| 5 | 5106009 | 8 | WSHR-STL, FLT .343" X .750" X .050" SPC SS188 |
| 6 | 5106024 | 4 | SCR-CAP, HEX .3125"-18 X .750" SS188 |
| 7 | 5106649 | 16 | SCR-CAP, HEX .3125"-18 X .625" SS188 |
| 8 | 5106655 | 12 | SNAP GRIP CLAMP .656 - .750 ID |
| 9 | 5418411 | 2 | HOSE, TANK SUPPLY, 0.5" ID, 28" LONG |
| 10 | 5418413 | 1 | HOSE, FILTER SUPPLY, 0.5" ID, 25" LONG |
| 11 | 5418414 | 1 | HOSE, MANIFOLD SUPPLY, 0.5" ID, 14" LONG |
| 12 | 5418423 | 2 | HOSE, TANK RETURN, 0.5" ID, 2" LONG |
| 13 | 5106710 | 1 | DECAL, SPRAY TANK SUCTION / RETURN LABEL |
| 14 | 5418427 | 1 | TRIM FOR CONSOLE, 7 INCH |
| 15 | 5108486 | 1 | CLAMP, HARNESS ROUTING, SS |
| 16 | 5106214 | 1 | SCR-CAP, HEX .250"-20 X .750" SS188 |
| 17 | 5107655 | 1 | NUT-HEX-NYLK, FLG .250"-20 SS188 |

Not For Distribution

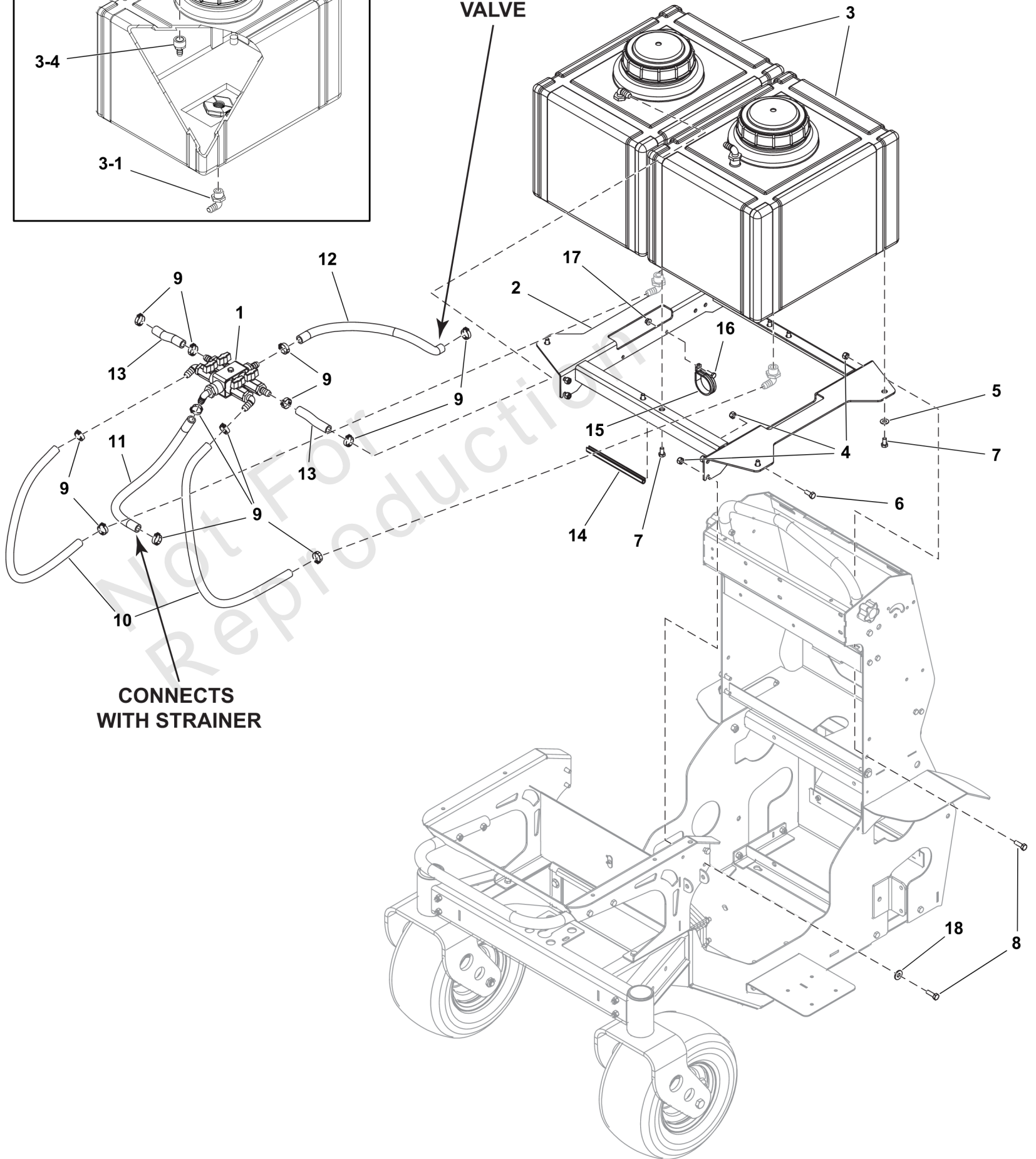
Sprayer Tank Group S/N: 3000003686 and Above

Note: Unless noted otherwise, use the standard torque specifications

Mfg. No: 5901755



CONNECTS WITH
PRESSURE RELIEF
VALVE



Sprayer Tank Group S/N: 3000003686 and Above

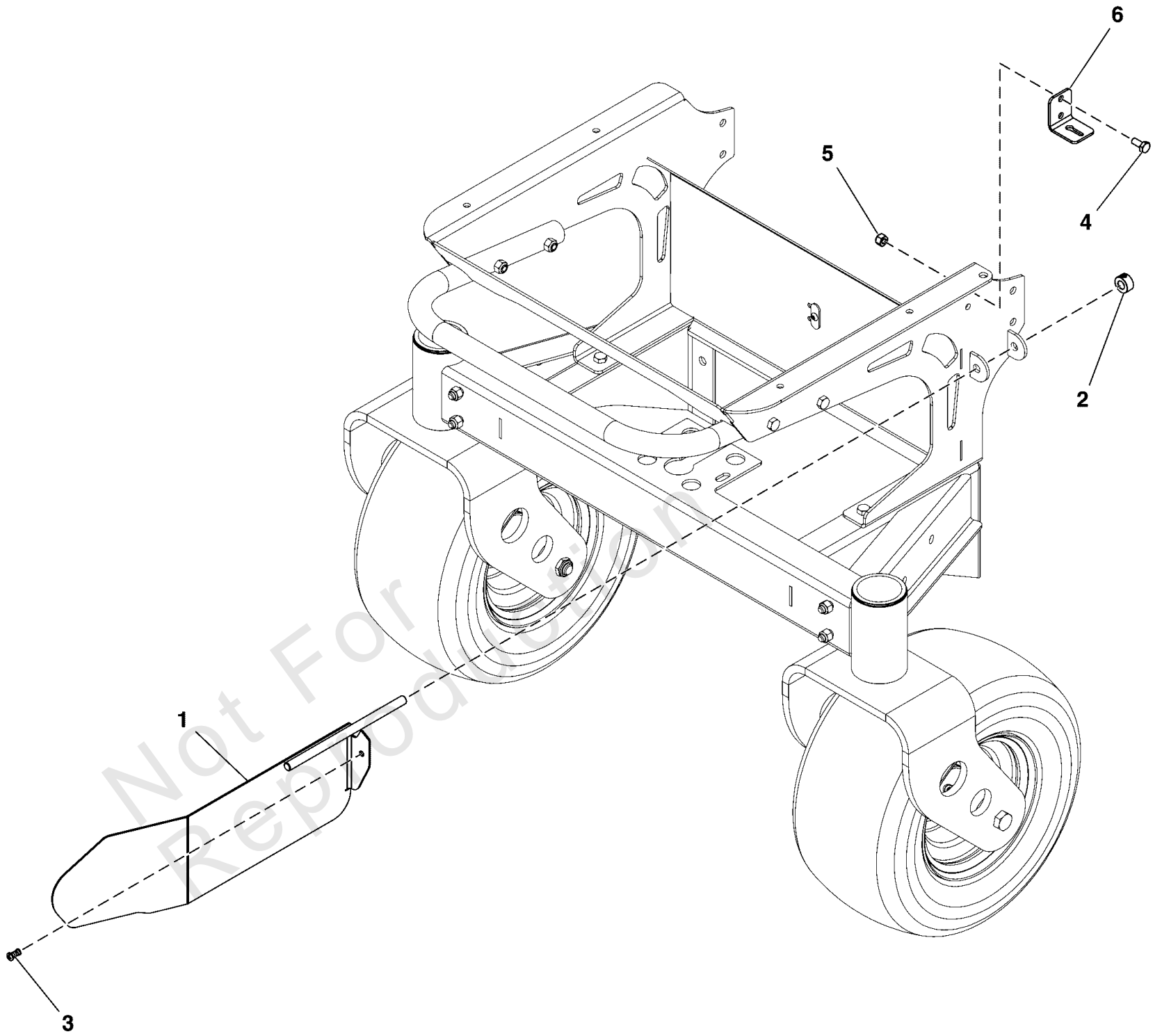
| REF NO | PART NO | QTY | DESCRIPTION |
|--------|----------|-----|---|
| 1 | ----- | 1 | Refer to: Spray Tank Valve Group |
| 2 | 84008742 | 1 | MOUNT, Tank |
| 3 | 5418422 | 2 | ASM, SPRAY TANK |
| 3-1 | 5106667 | 1 | FITTING, 3/4 MPT - 1/2 BARB, 90 ELBOW |
| 3-2 | ----- | 1 | TANK, 12 GAL RT W/SUMP HDPE NAT |
| 3-3 | 5106665 | 1 | FITTING, 1/2 MPT - 1/2 BARB, 90 ELBOW |
| 3-4 | 5106672 | 1 | FITTING, 1/2 FPT - 1/2 BARB |
| 3-5 | 5105985 | 1 | LID, TANK, SPRAY (G0134) |
| 4 | 5105992 | 12 | NUT-HEX-NYLK, 0.3125"-18 SS188 |
| 5 | 5106009 | 8 | WSHR-STL, FLT .343" X .750" X .050" SPC SS188 |
| 6 | 5106024 | 4 | SCR-CAP, HEX .3125"-18 X .750" SS188 |
| 7 | 5106649 | 8 | SCR-CAP, HEX .3125"-18 X .625" SS188 |
| 8 | 5106576 | 8 | SCR-CAP, HEX .3125"-18 X 1.000" SS188 |
| 9 | 84008744 | 12 | CLAMP |
| 10 | 84008658 | 2 | HOSE, Chemical |
| 11 | 84008659 | 1 | HOSE, Chemical |
| 12 | 84008660 | 1 | HOSE, Chemical |
| 13 | 84008661 | 2 | HOSE, Chemical |
| 14 | 84008656 | 1 | TRIM |
| 15 | 5108486 | 1 | CLAMP, HARNESS ROUTING, SS |
| 16 | 5106214 | 1 | SCR-CAP, HEX .250"-20 X .750" SS188 |
| 17 | 5107655 | 1 | NUT-HEX-NYLK, FLG .250"-20 SS188 |
| 18 | 5107649 | 4 | WSHR-SS, FLT .375"X.875"X.083" USS |

Not For Production

Spreader Shield Group

Note: Unless noted otherwise, use the standard torque specifications

Mfg. No: 5901755



Spreader Shield Group

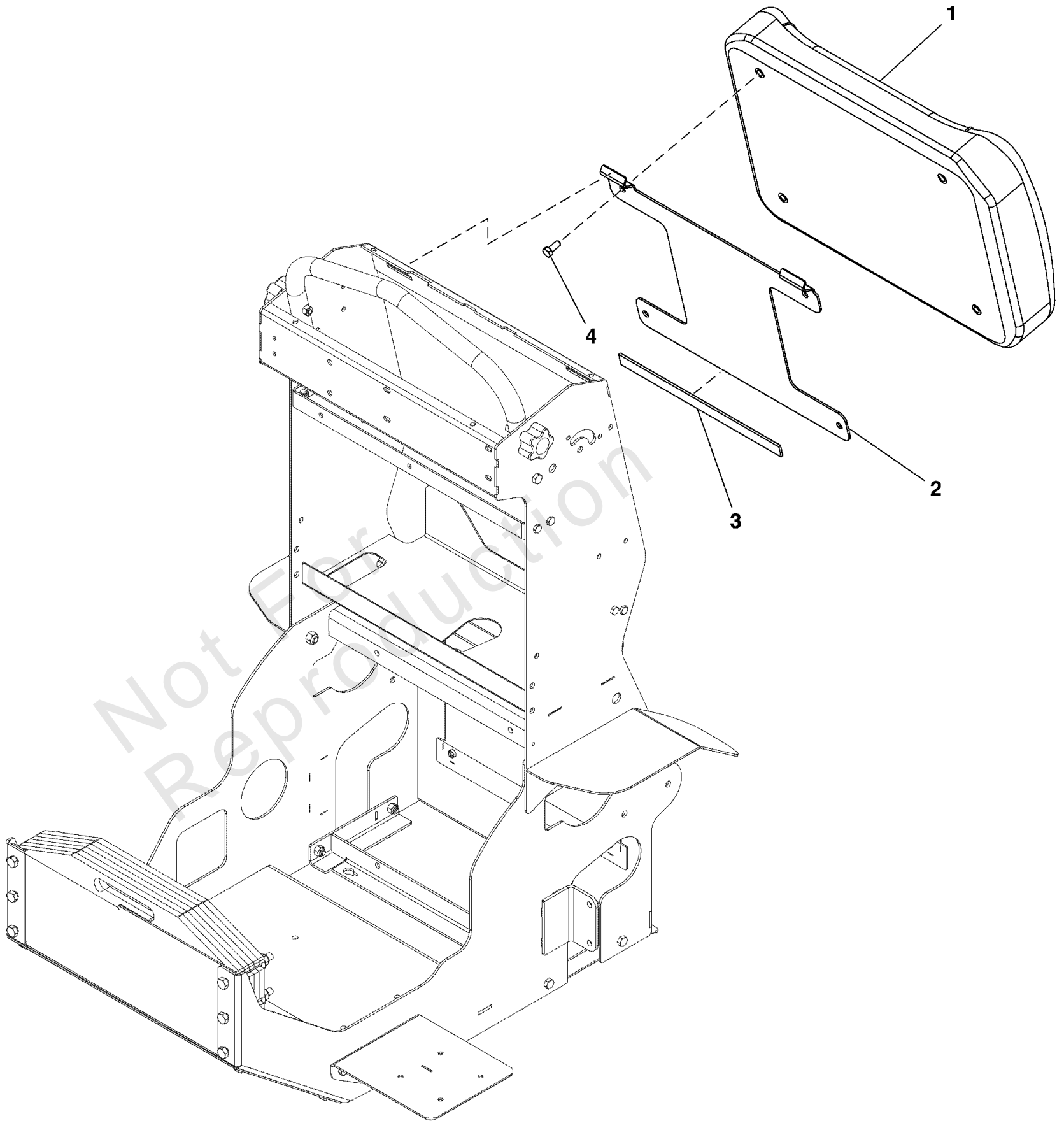
| REF NO | PART NO | QTY | DESCRIPTION |
|--------|---------|-----|--|
| 1 | 5418403 | 1 | WELD, DIVERTER SHIELD |
| 2 | 5106023 | 1 | COLLAR, SHAFT .375ID X .750OD X .375WD |
| 3 | 5105921 | 1 | FITTING, SWIVEL ACCUWAY |
| 4 | 5106029 | 2 | SCR-CAP, HEX .250"-20 X .625" SS188 |
| 5 | 5106040 | 2 | NUT-HEX-NYLK, .250"-20 SS188 |
| 6 | 5418405 | 1 | BRACKET, L-SHAPE DIVERTER CABLE |

Not For Reproduction

Thigh Pad Group

Note: Unless noted otherwise, use the standard torque specifications

Mfg. No: 5901755



Thigh Pad Group

| REF NO | PART NO | QTY | DESCRIPTION |
|--------|---------|-----|--------------------------------------|
| 1 | 5418406 | 1 | PAD, THIGH VENTURE |
| 2 | 5418407 | 1 | PLATE, MOUNT THIGH PAD |
| 3 | 5418421 | 1 | HOOK AND LOOP, 0.750" X 12.00" |
| 4 | 5106024 | 4 | SCR-CAP, HEX .3125"-18 X .750" SS188 |

Not For Reproduction

Hardware Identification & Torque Specifications

| Torque Specification Chart | | | | | | | | |
|--|-----------|------|-----------|------|------------|------|------------|------|
| FOR STANDARD METRIC MACHINE HARDWARE (Tolerance ± 20%) | | | | | | | | |
| Property Class | 5.6 | | 8.8 | | 10.9 | | 12.9 | |
| | Class 5.6 | | Class 8.8 | | Class 10.9 | | Class 12.9 | |
| Size Of Hardware | in/lbs | Nm. | in/lbs | Nm. | in/lbs | Nm. | in/lbs | Nm. |
| | ft/lbs | | ft/lbs | | ft/lbs | | ft/lbs | |
| M3 | 5.88 | .56 | 13.44 | 1.28 | 19.2 | 1.80 | 22.92 | 2.15 |
| M4 | 13.44 | 1.28 | 30.72 | 2.90 | 43.44 | 4.10 | 52.56 | 4.95 |
| M5 | 26.4 | 2.50 | 60.96 | 5.75 | 5.97 | 8.10 | 7.15 | 9.7 |
| M6 | 44.64 | 4.3 | 7.3 | 9.9 | 10.3 | 14 | 12.1 | 16.5 |
| M7 | 5.2 | 7.1 | 12.1 | 16.5 | 16.9 | 23 | 19.9 | 27 |
| M8 | 7.7 | 10.5 | 17.7 | 24 | 25 | 34 | 29 | 40 |
| M10 | 15 | 21 | 35 | 48 | 50 | 67 | 59 | 81 |
| M12 | 26 | 36 | 61 | 83 | 86.2 | 117 | 103 | 140 |
| M14 | 42 | 58 | 101 | 132 | 136 | 185 | 162 | 220 |
| M16 | 64 | 88 | 147 | 200 | 210 | 285 | 250 | 340 |
| M18 | 89 | 121 | 202 | 275 | 287 | 390 | 346 | 470 |
| M20 | 126 | 171 | 290 | 390 | 405 | 550 | 486 | 660 |
| M22 | 169 | 230 | 390 | 530 | 559 | 745 | 656 | 890 |
| M24 | 217 | 295 | 497 | 375 | 708 | 960 | 840 | 1140 |
| M27 | 320 | 435 | 733 | 995 | 1032 | 1400 | 1239 | 1680 |
| M30 | 435 | 590 | 995 | 1350 | 1401 | 1900 | 1681 | 2280 |
| M33 | 590 | 800 | 1349 | 1830 | 1902 | 2580 | 2278 | 3090 |
| M36 | 759 | 1030 | 1740 | 2360 | 2441 | 3310 | 2935 | 3980 |
| M39 | 988 | 1340 | 2249 | 3050 | 3163 | 4290 | 3798 | 5150 |

| Torque Specification Chart | | | | | | |
|---|-------------|-------|-------------|-------|-------------|---------|
| FOR STANDARD MACHINE HARDWARE (Tolerance ± 20%) | | | | | | |
| Hardware Grade | No Marks | | SAE Grade 5 | | SAE Grade 8 | |
| | SAE Grade 2 | | SAE Grade 5 | | SAE Grade 8 | |
| Size Of Hardware | in/lbs | Nm. | in/lbs | Nm. | in/lbs | Nm. |
| | ft/lbs | | ft/lbs | | ft/lbs | |
| 8-32 | 19 | 2.1 | 30 | 3.4 | 41 | 4.6 |
| 8-36 | 20 | 2.3 | 31 | 3.5 | 43 | 4.9 |
| 10-24 | 27 | 3.1 | 43 | 4.9 | 60 | 6.8 |
| 10-32 | 31 | 3.5 | 49 | 5.5 | 68 | 7.7 |
| 1/4-20 | 66 | 7.6 | 8 | 10.9 | 12 | 16.3 |
| 1/4-28 | 76 | 8.6 | 10 | 13.6 | 14 | 19.0 |
| 5/16-18 | 11 | 15.0 | 17 | 23.1 | 25 | 34.0 |
| 5/16-24 | 12 | 16.3 | 19 | 25.8 | 29 | 34.0 |
| 3/8-16 | 20 | 27.2 | 30 | 40.8 | 45 | 61.2 |
| 3/8-24 | 23 | 31.3 | 35 | 47.6 | 50 | 68.0 |
| 7/16-14 | 30 | 40.8 | 50 | 68.0 | 70 | 95.2 |
| 7/16-20 | 35 | 47.6 | 55 | 74.8 | 80 | 108.8 |
| 1/2-13 | 50 | 68.0 | 75 | 102.0 | 110 | 149.6 |
| 1/2-20 | 55 | 74.8 | 90 | 122.4 | 120 | 163.2 |
| 9/16-12 | 65 | 88.4 | 110 | 149.6 | 150 | 204.0 |
| 9/16-18 | 75 | 102.0 | 120 | 163.2 | 170 | 231.2 |
| 5/8-11 | 90 | 122.4 | 150 | 204.0 | 220 | 299.2 |
| 5/8-18 | 100 | 136 | 180 | 244.8 | 240 | 326.4 |
| 3/4-10 | 160 | 217.6 | 260 | 353.6 | 386 | 525.0 |
| 3/4-16 | 180 | 244.8 | 300 | 408.0 | 420 | 571.2 |
| 7/8-9 | 140 | 190.4 | 400 | 544.0 | 600 | 816.0 |
| 7/8-14 | 155 | 210.8 | 440 | 598.4 | 660 | 897.6 |
| 1-8 | 220 | 299.2 | 580 | 788.8 | 900 | 1,244.0 |
| 1-12 | 240 | 326.4 | 640 | 870.4 | 1,000 | 1,360.0 |

The guides and ruler furnished below are designed to help you select the appropriate hardware.

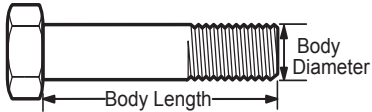


Nut, M8

Thread Diameter (mm)

Inside Diameter (in) Threads per inch

Nut, 1/2-16



Screw, M8- 1.25 x 25

Thread Diameter (mm) Distance between threads (mm) Body Length (mm)

Body Diameter Threads per inch Body Length (in)

Screw, 1/2- 16 x 2



Standard Hardware Sizing

When a washer or nut is identified as 1/2" (M8), this is the *Nominal size*, meaning the *inside diameter* is 1/2 inch (8mm metric thread diameter); if a second number is present it represents the *threads per inch* (distance between threads).

When bolt or capscrew is identified as 1/2 - 16 x 2" (M8 - 1.25 x 50), this means the *Nominal size*, or body diameter is 1/2 inch (8mm metric thread diameter), the second number, 16, represents the *threads per inch*, (*distance between threads*). The final number is the body length of the bolt or screw, 2 inches (50mm).

NOTES

- These torque values are to be used for all hardware excluding: locknuts, self-tapping screws, thread forming screws, sheet metal screws and socket head setscrews.
- Recommended seating torque values for locknuts:
 - for prevailing torque locknuts - use 65% of grade 5 torques.
 - for flange whizlock nuts and screws - use 135% of grade 5 torques.
- Unless otherwise noted on assembly drawings, all torque values must meet this specification.

Common Hardware Types

Hex Head Capscrew



Washer



Carriage Bolt



Hex Nut

Wrench & Fastener Size Guide

| | | | | |
|----------------------------------|----------------------------------|----------------------------------|--|---------------------------------|
| | | | | |
| 1/4" Bolt or Nut Wrench—7/16" | 5/16" Bolt or Nut Wrench—1/2" | 3/8" Bolt or Nut Wrench—9/16" | 7/16" Bolt or Nut Wrench (Bolt)—5/8" Wrench (Nut)—11/16" | 1/2" Bolt or Nut Wrench—3/4" |
| M6 Bolt or Nut Wrench—10mm | M8 Bolt or Nut Wrench—13mm | M10 Bolt or Nut Wrench—17mm | M12 Bolt or Nut Wrench—19mm | M14 Bolt or Nut Wrench—22mm |

